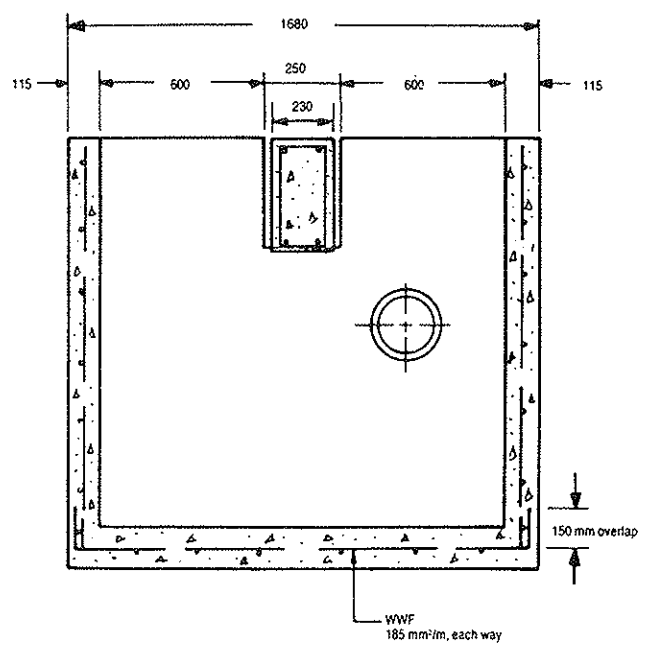
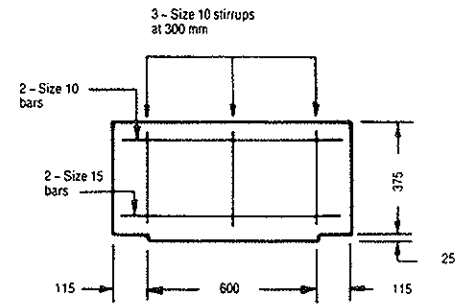
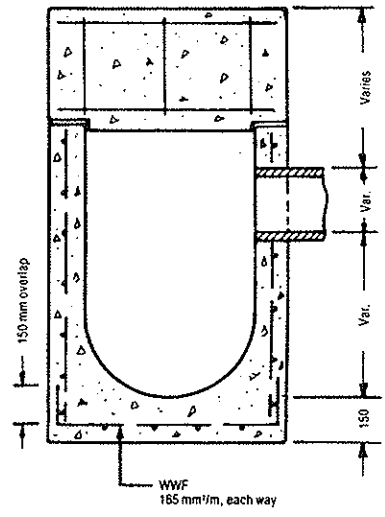


PLAN



SECTION A-A



SECTION B-B

- NOTES:**
- A All reinforcing steel shall have 25 mm min cover.
  - B Weep holes, where required, shall be placed so that the bottom of the weeper on the inside and the top of the weeper on the outside are level.
  - C All dimensions are in millimetres



**CON CAST PIPE**

R.R. #3, Guelph, Ontario N1H 6H9  
Tel: 1-800-668-PIPE (7473)

**CON CAST PIPE**

No. 705.01

**600 × 1450 mm  
PRECAST CONCRETE TWIN  
INLET CATCH BASIN  
DEPTH 4.0 m MAX**