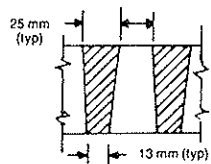
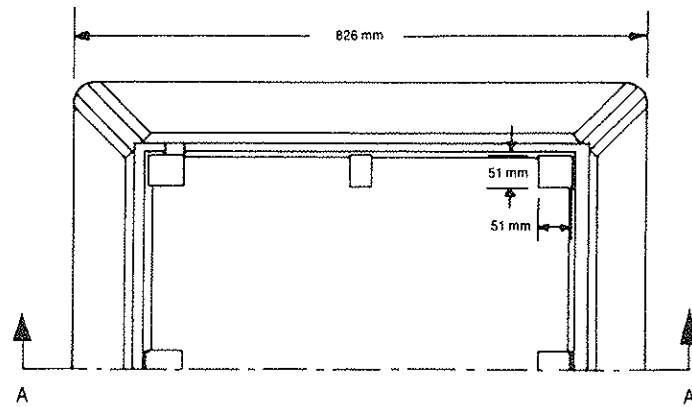


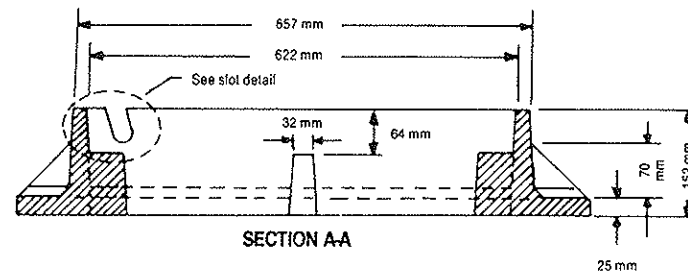
SECTION D-D



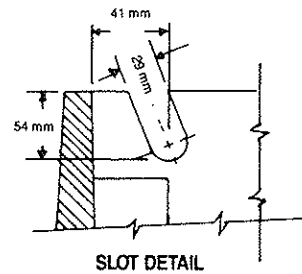
SECTION E-E



FRAME 113 KG  
GRATE 109 KG



SECTION A-A



SLOT DETAIL



**CON CAST PIPE**

R.R. #3, Guelph, Ontario N1H 6H9  
Tel: 1-800-668-PIPE (7473)

**CON CAST PIPE**

**CATCHBASIN FRAME AND GRATE**  
standard - flat