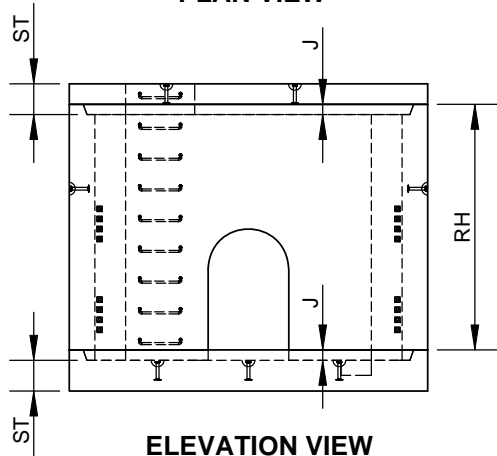
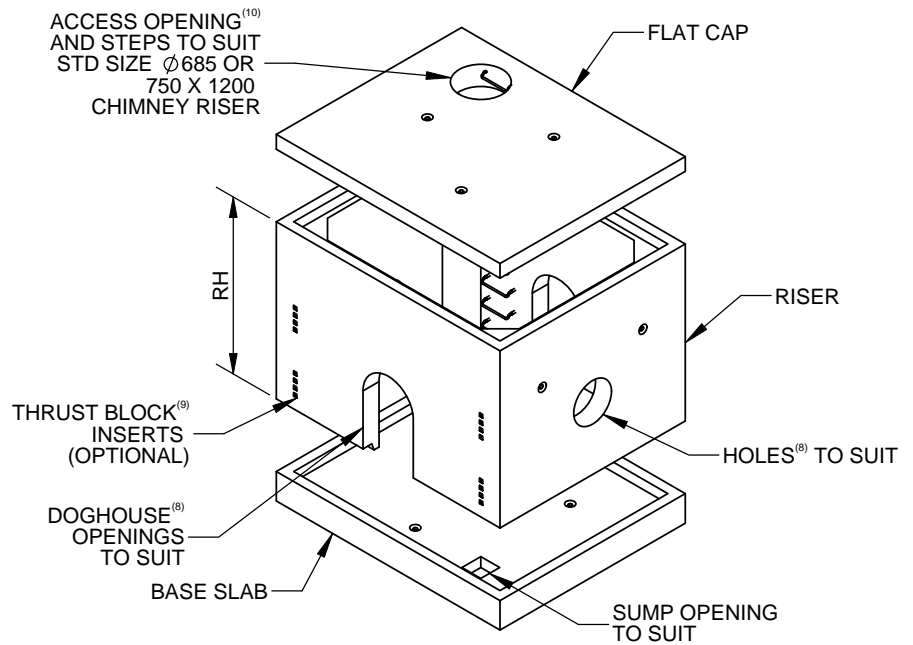


PLAN VIEW



ELEVATION VIEW



GENERAL NOTES:

- (1) STRUCTURAL DESIGN REQUIRED TO DETERMINE REINFORCING STEEL
- (2) OPENING ALLOWS ON WALL AND SLAB ONLY IF STRUCTURAL INTEGRITY IS MAINTAINED
- (3) HAUNCH IS OPTIONAL
- (4) MAX STANDARD RISER HEIGHT IS 2438. MAX TOTAL RISER HEIGHT OF 3658 CAN BE ACHIEVED WITH SECONDARY POUR
- (5) APPROXIMATE MASS DOES NOT INCLUDE JOINT OR OPENINGS AND IS BASED ON AN AVERAGE CONCRETE DENSITY OF 2480 kg/m³
- (6) SHIPPING CAPACITY GOVERNS THE MAXIMUM SIZE AND HEIGHT
- (7) GSK - SINGLE OFFSET GASKETED JOINT, BR - BUTYL RUBBER JOINT
- (8) SIZE OF DOGHOUSE OR OPENINGS DEPENDS ON THE HEIGHT OF THE RISER AND WIDTH OF THE WALL
- (9) CAST-IN INSERTS ARE BASED ON CONTRACT REQUIREMENTS
- (10) CUSTOM ACCESS OPENING OR CAST-IN CUSTOM HATCH ARE AVAILABLE
- (11) LIFTING DEVICES ARE DAYTON SWIFT LIFT ANCHOR OR EQUIVALENT

NOMINAL SIZE	SIZE				RISER						CAP AND BASE		JOINT		REG. STD	
	D1	D2	WT	HC	RH			APRX. MASS (kg/m ³) ⁽⁶⁾	MFG	CAST SPIGOT	ST	APRX. MASS (kg)	TYP ⁽⁷⁾	J		
					MIN	INC	MAX									
STANDARD SIZE																
1800 X 900	1800	900	200	200	305	152	2300	3300	DC	UP	254	1850	GSK	127	NA	
1800 X 1200	1829	1219	203	203	305	152	2438	3700	DC	UP	254	2300	GSK	127	NA	
2400 X 1200	2438	1219	203	203	305	152	2438	4350	DC	UP	254	2950	GSK	127	NA	
2400 X 1500	2438	1524	203	203	305	152	2438	4650	DC	UP	254	3500	GSK	127	NA	
2400 X 1800	2438	1829	203	203	305	152	2438	4950	DC	UP	254	4050	GSK	127	OPSD	
2400 X 1800	2438	1829	203	305	305	152	2438	5200	WC	DN	254	4050	GSK	108	OPSD	
3000 X 1500	3048	1524	254	254	305	152	2438	6750	DC	UP	254	4600	GSK	127	NA	
3000 X 1800	3048	1829	254	254	305	152	2438	7150	DC	UP	254	5250	GSK	127	NA	
3000 X 2100	3048	2134	254	254	305	152	2438	7500	DC	UP	254	5950	GSK	127	NA	
3000 X 2400	3048	2438	254	254	305	152	2438	7900	DC	UP	254	6650	GSK	127	OPSD	
3000 X 2400	3048	2438	254	305	305	152	2438	8050	WC	DN	254	6650	GSK	108	OPSD	
3000 X 3000	3048	3048	254	254	305	152	2438	8700	WC	DN	305	9600	GSK	127	NA	
CUSTOM SIZE																
1200 X 900	1219	914	203	0 ⁽³⁾	305	152	3658 ⁽⁴⁾	2600	WC	DN	203	1100	BR	102	NA	
SIZE INCREMENT	305	305	51	51							51					
6000 X 4800	6096	4877	406	406	610	152	1524	24600 ⁽⁶⁾	WC	DN	406	39650	BR	102	NA	

ALL DIMENSIONS ARE IN mm
DRAWINGS ARE NOT TO SCALE
TOLERANCES TO CSA A23.4-09

CON CAST PIPE (CCP) STANDARD DRAWING

STD. CCP ENG GUIDE B 7.1.1 PART

TITLE
**RECTANGULAR VALVE CHAMBER
SIZE GUIDE**

1	INITIAL RELEASE	CW	19/OCT/2011	DRAWN BY CW	CHECKED BY SW	DATE 19/OCT/2011	FILE VC SIZE GUIDE.SLDDRW	PAGE 1 OF 1
REV.	DESCRIPTION	ENG.	DATE					