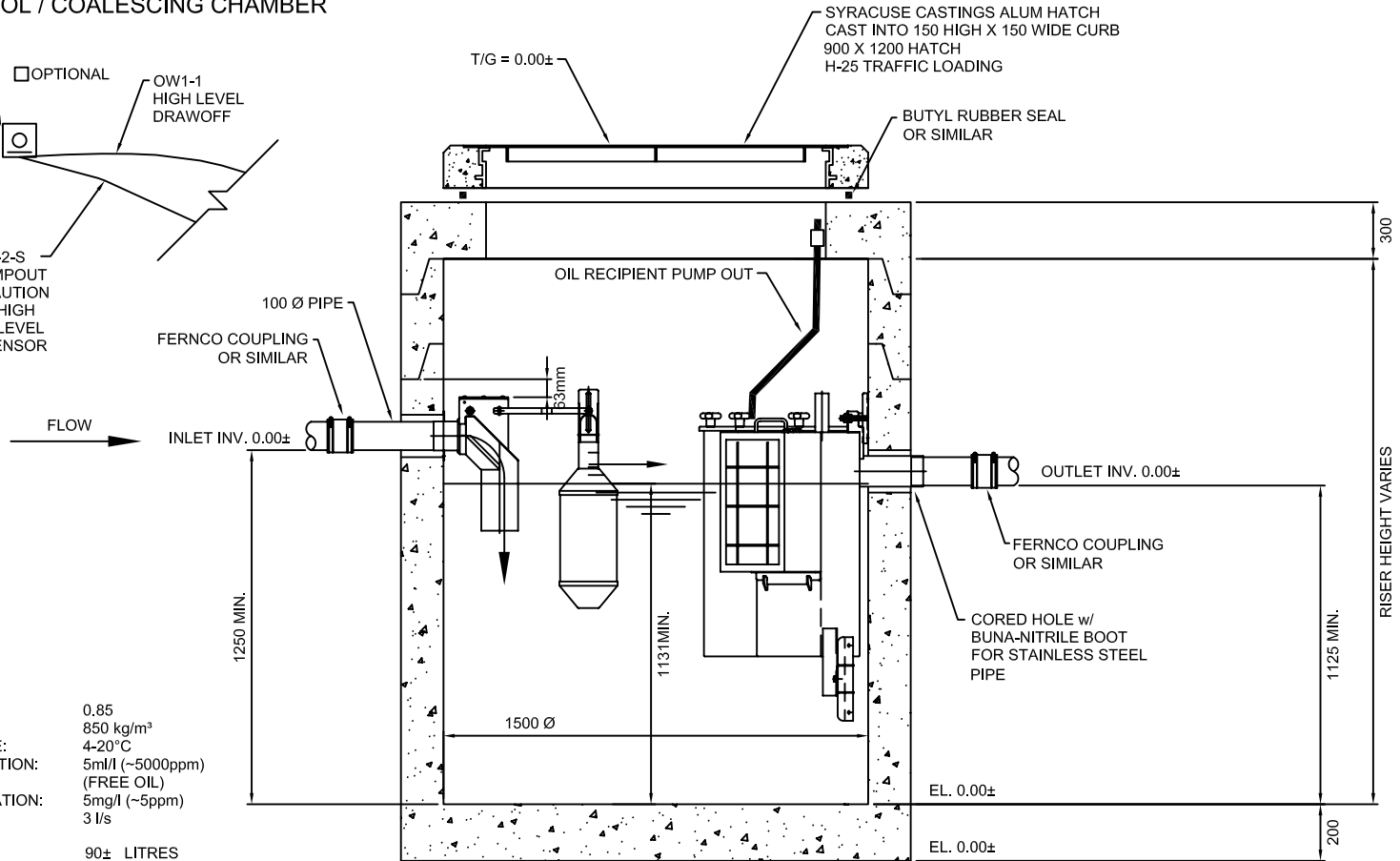
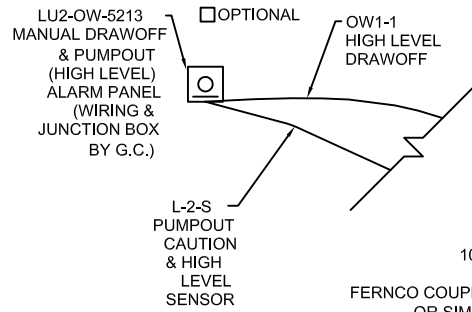


# ecoSep

ecoSep™ - 3 l/s - STANDARD  
 - SPILL CONTROL / COALESCING CHAMBER



**NOTE:**  
 INTERIOR OF BASE SECTION COATED WITH RESISTALL COATINGS.

**DESIGN INFORMATION BASIS**

OIL SPECIFIC GRAVITY (NON-EMULSIFIED):	0,85
OPERATING TEMPERATURE:	850 kg/m <sup>3</sup>
INFLUENT OIL CONCENTRATION: (FREE OIL)	4-20°C
EFFLUENT OIL CONCENTRATION:	5ml/l (~5000ppm)
FLOW (NOMINALE) RATE:	5mg/l (~5ppm)
OIL RECIPIENT CAPACITY	3 l/s
	90± LITRES

PROPRIETARY INFORMATION - ALL RIGHTS OF ROYAL ENVIRONMENTAL SYSTEMS, INC.

REINFORCING TO CSA G.30.18 GRADE 400W  
 ALL DIMENSIONS ARE IN mm  
 DRAWING DETAIL NOT TO BE SCALED

MIN. CONC STRENGTH, XX MPa  
 CLEAR COVER = XX mm ± XX mm  
 AIR ENTRAINMENT 4.50 % TO 8.00%  
 STRIP CONC. STRENGTH XX MPa  
 TOLERANCES TO CSA A23.4-05 : 12.2

W.O.	JOB No.	PART
		XX0000

CUST.	PROJ.

TITLE

## STANDARD ECOSEP 3 L/S SPILL CONTROL/ COALESCING CHAMBER

BY	DATE	FILE
JGS	23 / MAY / 07	esep_res_3-pc_r-13.DWG

REV.	DESCRIPTION	ENG.	DATE

EMAIL: SALES@CONCASTPIPE.COM

**CON CAST PIPE** RR 3 Guelph, ON N1H 6H9

Fax: (519) 763-1956

1-800-668-7473

www.concastpipe.com