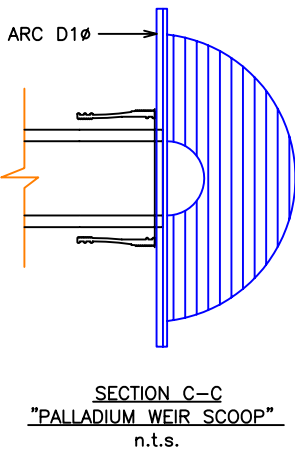
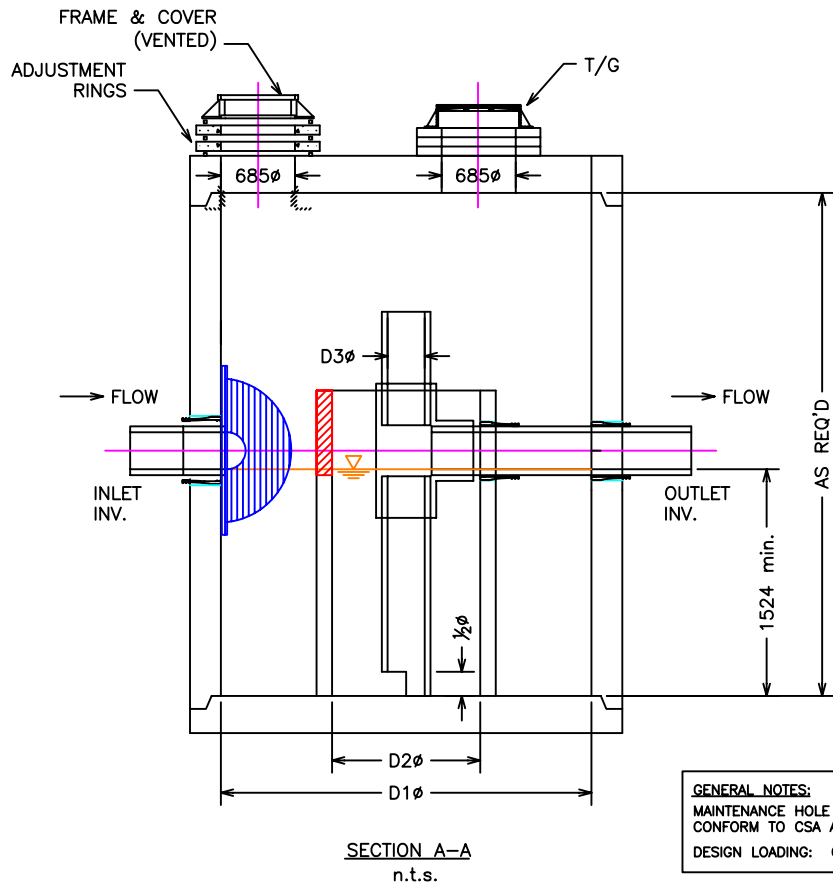
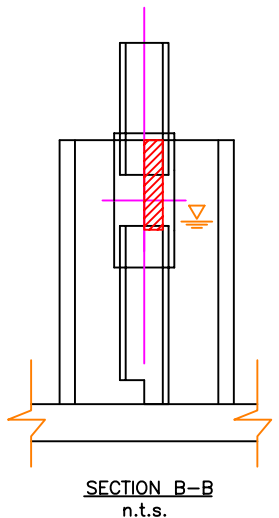
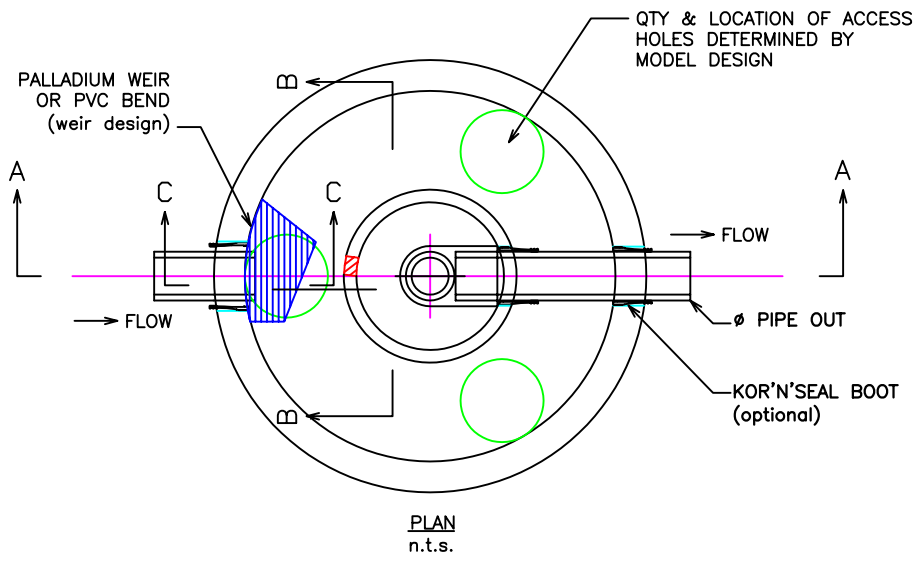
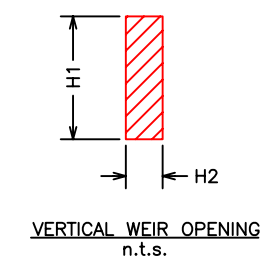


PROJECT: . TEXT	LOCATION: ON, CANADA
OWNER: . TEXT	SCALE: nts
ENGINEER: . TEXT	DRAWN BY: EPS
CONTRACTOR: . TEXT	DATE: 2006
MANUFACTURER: . CON CAST PIPE	DWG. NO.: STANDARD ECOSTORM MODELS
PRODUCT DESIGNATION: ecoStorm - gross particulate separation technology	
DESIGNED BY: JGS	CHECK 1: CHECK 2:

No	DATE	REVISIONS

model no.	Peak	Treatment	ecoStorm			Vertical Weir		Inlet	Detention
	Flowrate Q _p (L/s)	Flowrate Q _t (L/s)	D1 dia. (mm)	D2 dia. (mm)	D3 dia. (mm)	H1 (mm)	H2 (mm)	Weir / 45° Bend (typ. to model)	at Q _t (+/- sec)
3	623	156	3000	1200	*	*	*	Weir / 45° Bend	118
2	453	113	2400	975	*	*	*	Weir / 45° Bend	87
1	227	57	1800	750	*	*	*	45° Bend	82

* requires site specific hydraulic sizing information



GENERAL NOTES:
MAINTENANCE HOLE SPECIFICATIONS
CONFORM TO CSA A-257 SERIES
DESIGN LOADING: CAN/CSA-S6-00