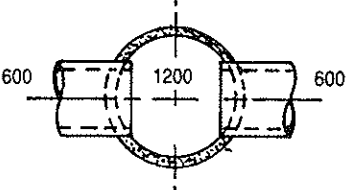
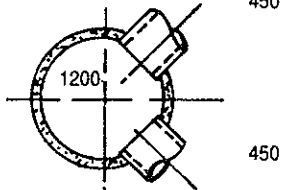
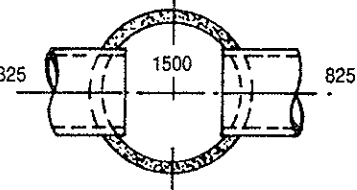
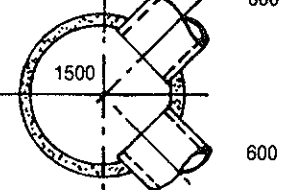
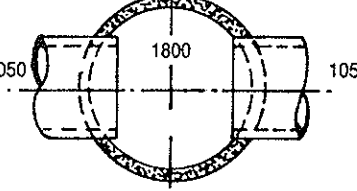
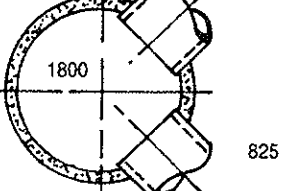
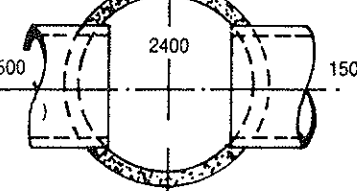
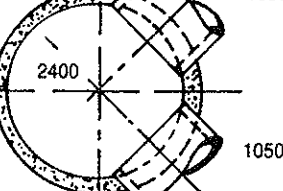


Manhole Inside Dia. mm	Max Pipe Size for Straight Through Installation	Max Pipe Size for Right Angle Installation	Remarks
1200			ALL DIMENSIONS ARE FOR CONCRETE PIPE
1500			KNOCKOUTS FOR SMALL DIAMETER CATCH BASIN LEAD (SIZES 300 mm OR LESS) COULD BE PROVIDED IN ADDITION TO WHAT IS SHOWN
1800			MAXIMUM SIZES ARE BASED ON SAFE HANDLING AND INSTALLATION CONSTRAINTS
2400			



CON CAST PIPE

R.R. #3, Guelph, Ontario N1H 6H9
Tel: 1-800-668-PIPE (7473)

CON CAST PIPE

MAXIMUM PIPE SIZES FOR PRECAST MAINTENANCE HOLES