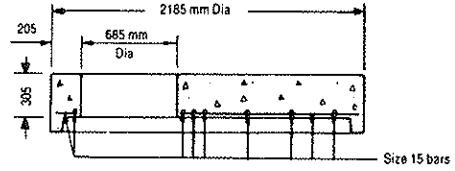
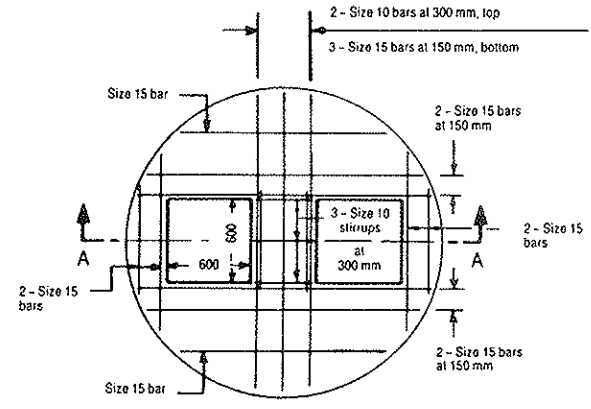


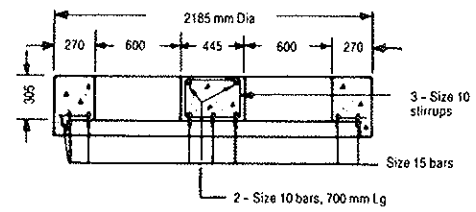
PLAN



SECTION A-A  
FLAT CAP



PLAN



SECTION A-A  
TWIN INLET FLAT CAP

- NOTES:
- A All reinforcing steel shall have 25 mm min cover.
  - B This standard to be used in conjunction with OPSD-701.05
  - C All dimensions are in millimetres



**CON CAST PIPE**

R.R. #3, Guelph, Ontario N1H 6H9  
Tel: 1-800-668-PIPE (7473)

<b>CON CAST PIPE</b>	No. 703.02
<p>1800 mm Dia.</p> <p><b>PRECAST CONCRETE SINGLE AND TWIN INLET FLAT CAP</b></p>	