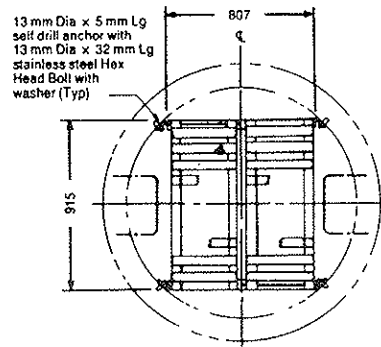
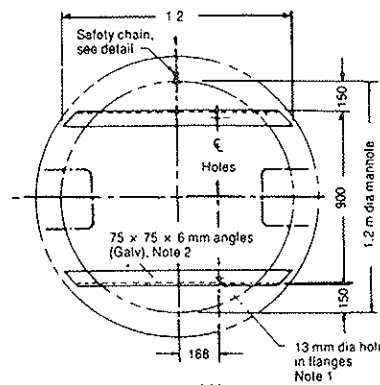


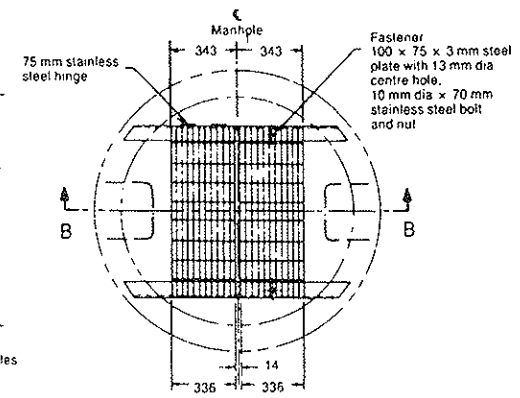
SECTION B-B



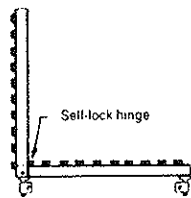
PLAN
Detail of grating and 'bolt on' support
Type A



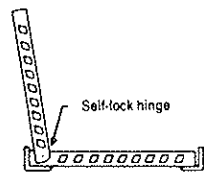
PLAN
Detail of cast in wall grating support
Type B



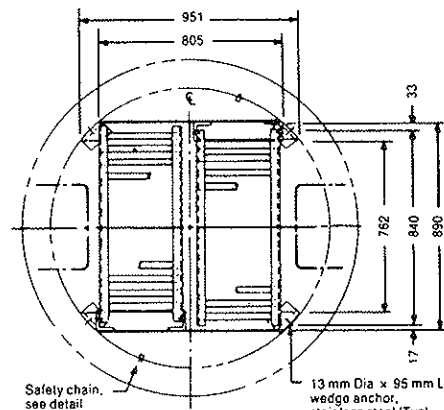
PLAN
Detail of grating
Type B



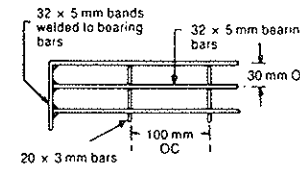
END VIEW
Open position, Type A



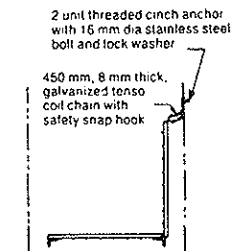
END VIEW
Open position, Type C



PLAN
Detail of grating and 'bolt on' support
Type C



Detail of grating
Type B



Detail of safety chain
For Types B and C

NOTES:
A Bolt holes in angles to be drilled before galvanizing.

A MATERIALS:
a The aluminum grate shall conform to standard No. 157 CSA.
B The bearing bars shall be SG 11 R - T6 alloy.

B All dimensions are in millimetres or metres unless otherwise specified.



CON CAST PIPE

R.R. #3, Guelph, Ontario N1H 6H9
Tel: 1-800-668-PIPE (7473)

CON CAST PIPE

No. 404.02

ALUMINUM
SAFETY GRATING
FOR CONCRETE MAINTENANCE HOLES