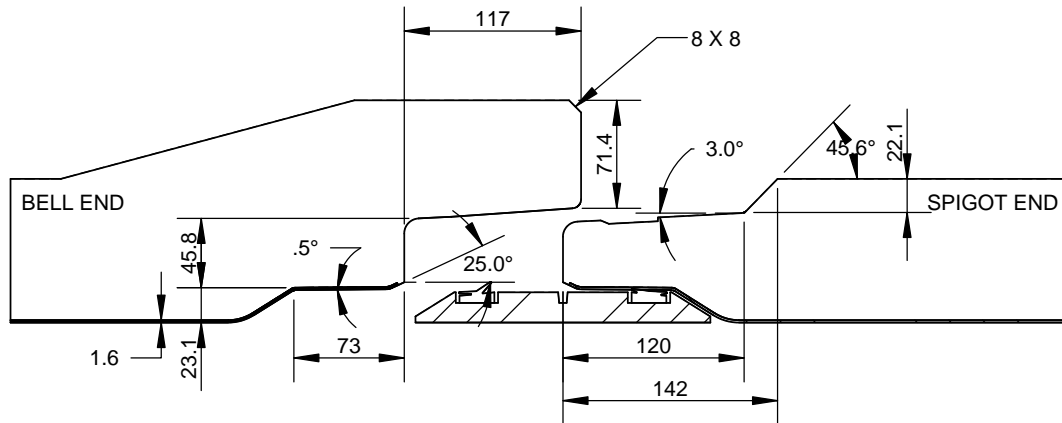
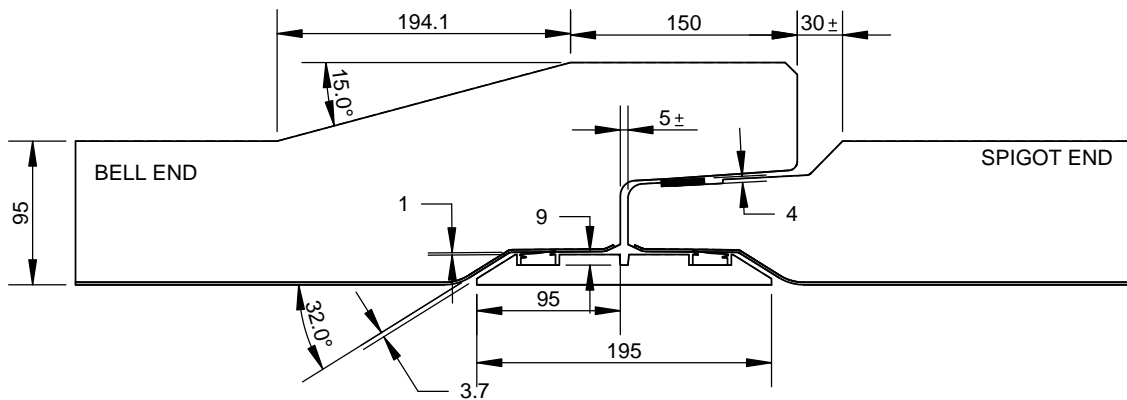


**ISOMETRIC VIEW**



**JOINT DIS-ENGAGED**



**JOINT ENGAGED**

ALL DIMENSIONS ARE IN mm  
DRAWINGS ARE NOT TO SCALE

REFER TO PL0600X5 FOR PIPE DETAIL

**CON CAST PIPE (CCP) STANDARD DRAWING**

STD.

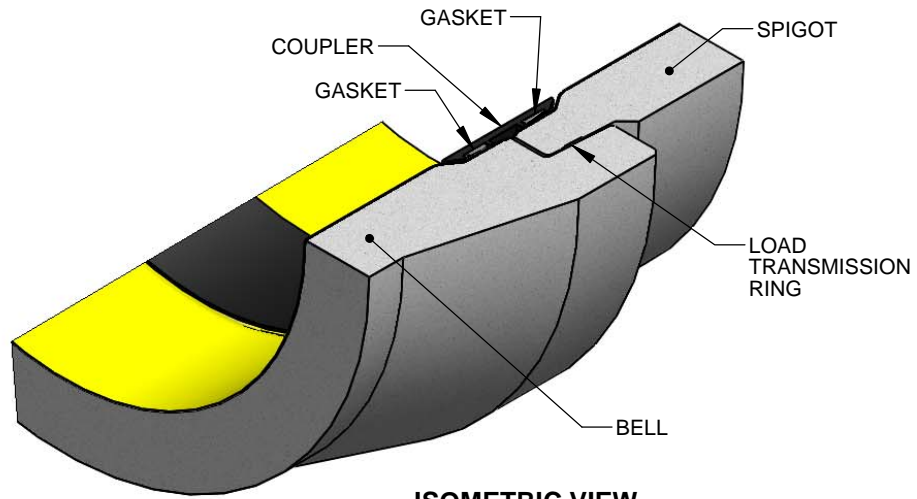
DOC ID PL0600J

TITLE

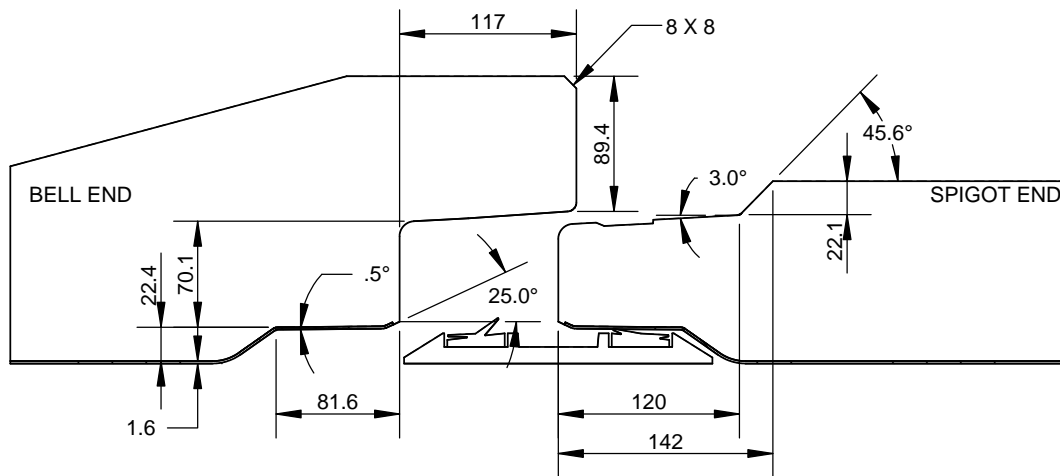
**LINED REINFORCED CONCRETE PIPE  
600mm DIAMETER  
JOINT DETAIL**

1	ADDED DETAILS	SW	19OCT16
0	INITIAL RELEASE	SW	31MAR16
REV.	DESCRIPTION	ENG.	DATE

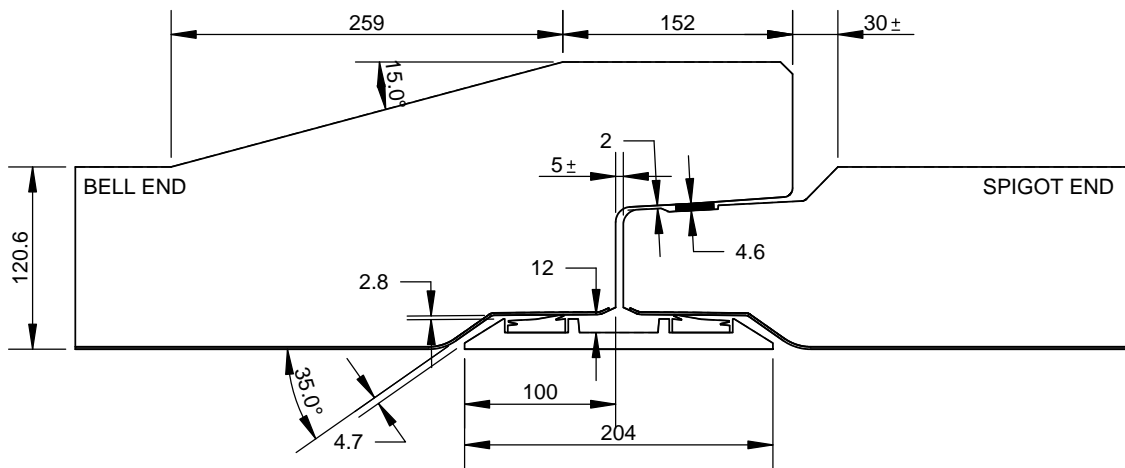
DRAWN BY SW	CHECKED BY SW	DATE 31MAY16	FILE PL0600J	PAGE 1 OF 1
----------------	------------------	-----------------	-----------------	----------------



**ISOMETRIC VIEW**



**JOINT DIS-ENGAGED**



**JOINT ENGAGED**

ALL DIMENSIONS ARE IN mm  
DRAWINGS ARE NOT TO SCALE

REFER TO PL0900X5 FOR PIPE DETAIL

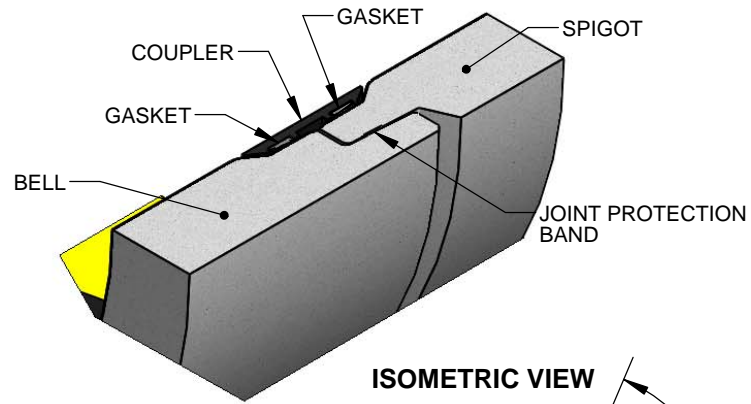
**CON CAST PIPE (CCP) STANDARD DRAWING**

STD. \_\_\_\_\_ DOC ID PL0900J

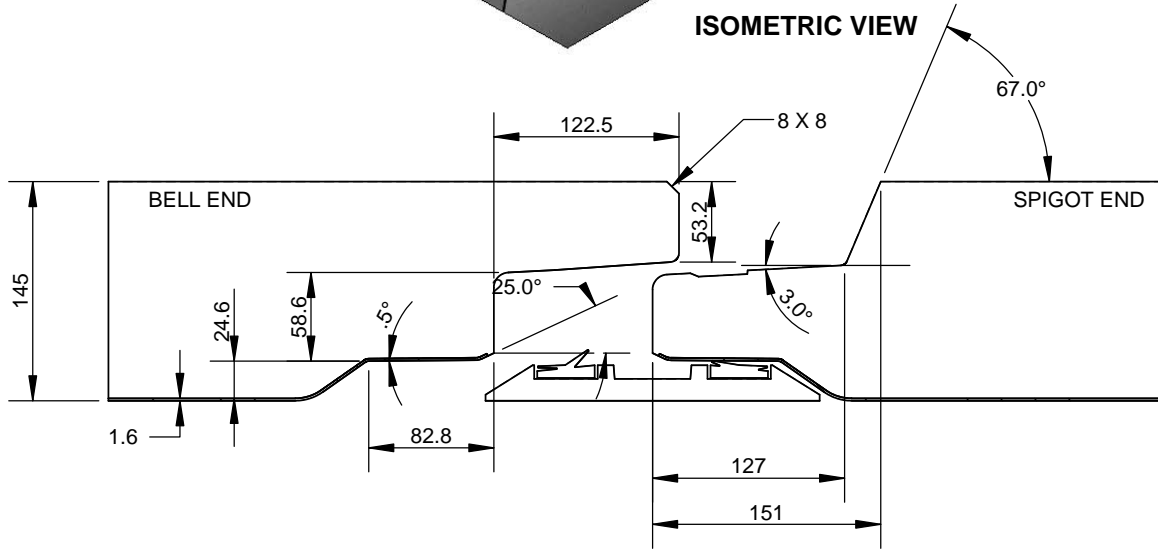
TITLE  
**LINED REINFORCED CONCRETE PIPE  
900 mm DIAMETER  
JOINT DETAIL**

1	ADD DETAILS	SW	19OCT16
0	INITIAL RELEASE	SM	4APR16
REV.	DESCRIPTION	ENG.	DATE

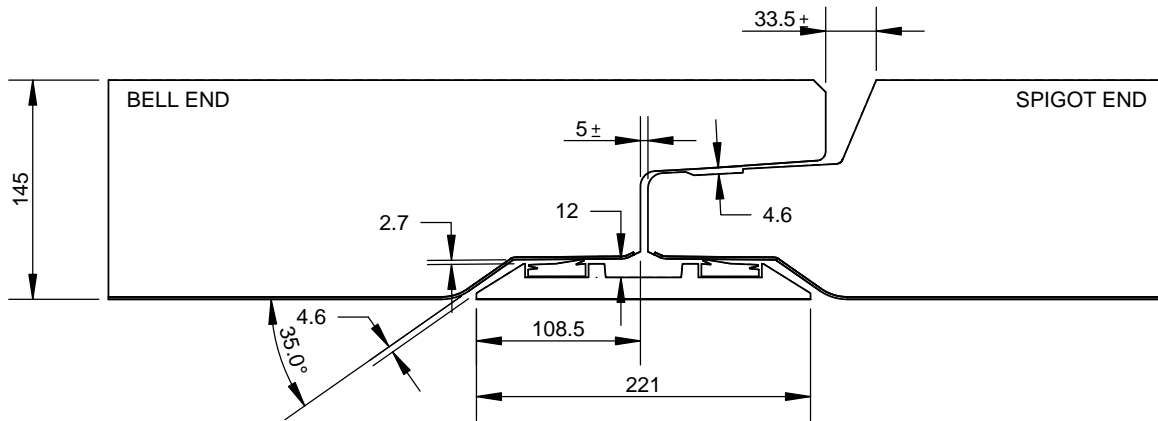
DRAWN BY SW	CHECKED BY SM	DATE 4APR16	FILE PL0900J	PAGE 1 OF 1
----------------	------------------	----------------	-----------------	----------------



ISOMETRIC VIEW



JOINT DIS-ENGAGED



JOINT ENGAGED

ALL DIMENSIONS ARE IN mm  
DRAWINGS ARE NOT TO SCALE

REFER TO PL1200X5 FOR PIPE DETAIL

CON CAST PIPE (CCP) STANDARD DRAWING

STD.	DOC ID PL1200J		
TITLE	LINED REINFORCED CONCRETE PIPE 1200 mm DIAMETER JOINT DETAIL		
REV.	DESCRIPTION	ENG.	DATE
1	ADDED DETAILS	SW	20OCT16
0	INITIAL RELEASE	SW	4APR16
DRAWN BY	CHECKED BY	DATE	FILE
SW	SM	4APR16	PL1200J
			PAGE x OF x