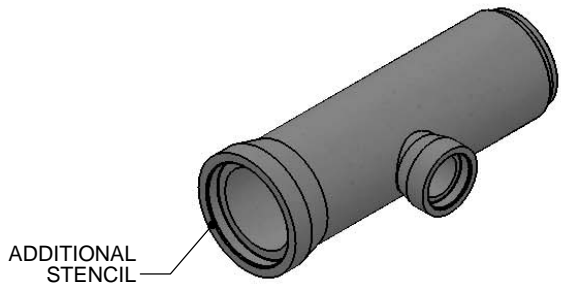
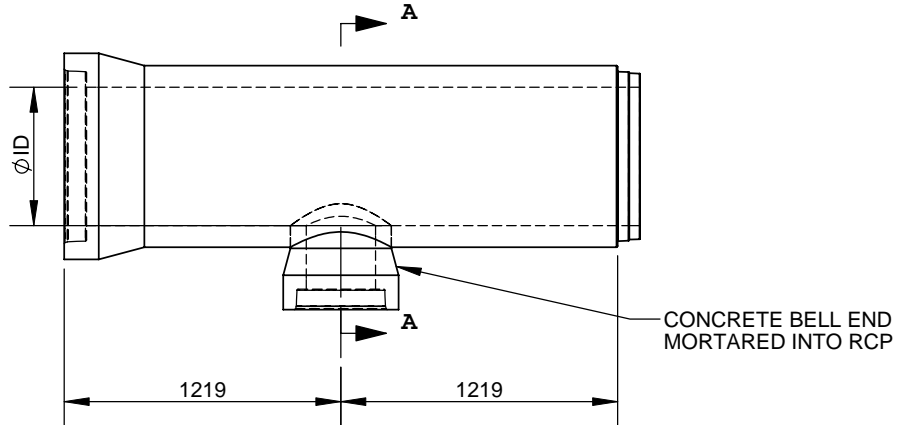


ADD'L STENCIL  
(SIZE) CONC TEE

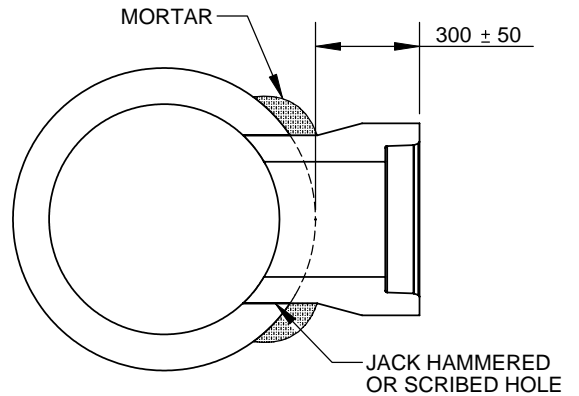


ADDITIONAL  
STENCIL

ISOMETRIC VIEW



PLAN VIEW



FITTING DETAIL - SECTION A

PRODUCT VARIABLES								
PART ID*	PIPE SIZE	INNER DIA. (ID)	CONCRETE TEE SIZE					
			150	200	250	300	375	450
PT0300c4-10t	300	305	Y	Y	Y			
PT0375c4-10t	375	381	Y	Y	Y	Y		
PT0450c4-10t	450	457	Y	Y	Y	Y	Y	
PT0525c4-10t	525	533	Y	Y	Y	Y	Y	Y
PT0600c4-10t	600	610	Y	Y	Y	Y	Y	Y
PT0675c4-10t	675	686	Y	Y	Y	Y	Y	Y
PT0750c4-10t	750	762	Y	Y	Y	Y	Y	Y
PT0825c4-10t	825	838	Y	Y	Y	Y	Y	Y
PT0900c4-10t	900	914	Y	Y	Y	Y	Y	Y

\* PART ID NOTES  
(c) PIPE CLASS: 2 - 50-D; 3 - 65-D; 4 - 100-D; 5 - 140-D  
(t) TEE SIZE CODE: 3 - 150; 4 - 200; 5 - 250; 6 - 300;  
7 - 375; 8 - 450; 9 - 525

ENGINEER STAMP (IF REQUIRED)

ALL DIMENSIONS ARE IN mm  
DRAWINGS ARE NOT TO SCALE

TEE LOCATION TOLERANCE ± 50

CON CAST PIPE (CCP) STANDARD DRAWING

STD. CSA A257.2-09

PART PT0XXXX-10X

TITLE  
REINFORCED CONCRETE PIPE  
300 - 900mm  
STANDARD CONCRETE TEE

0 INITIAL RELEASE MT 26/JAN/12

DRAWN BY MT CHECKED BY SW DATE 26/JAN/12 FILE PipeCONCTEE.SLDRW PAGE 1 OF 1

CON CAST PIPE RR 3 Guelph, ON N1H 6H9

Fax: (519) 763-1956 1-800-668-7473 www.concastpipe.com