



HY-GRADE
PRECAST CONCRETE LTD

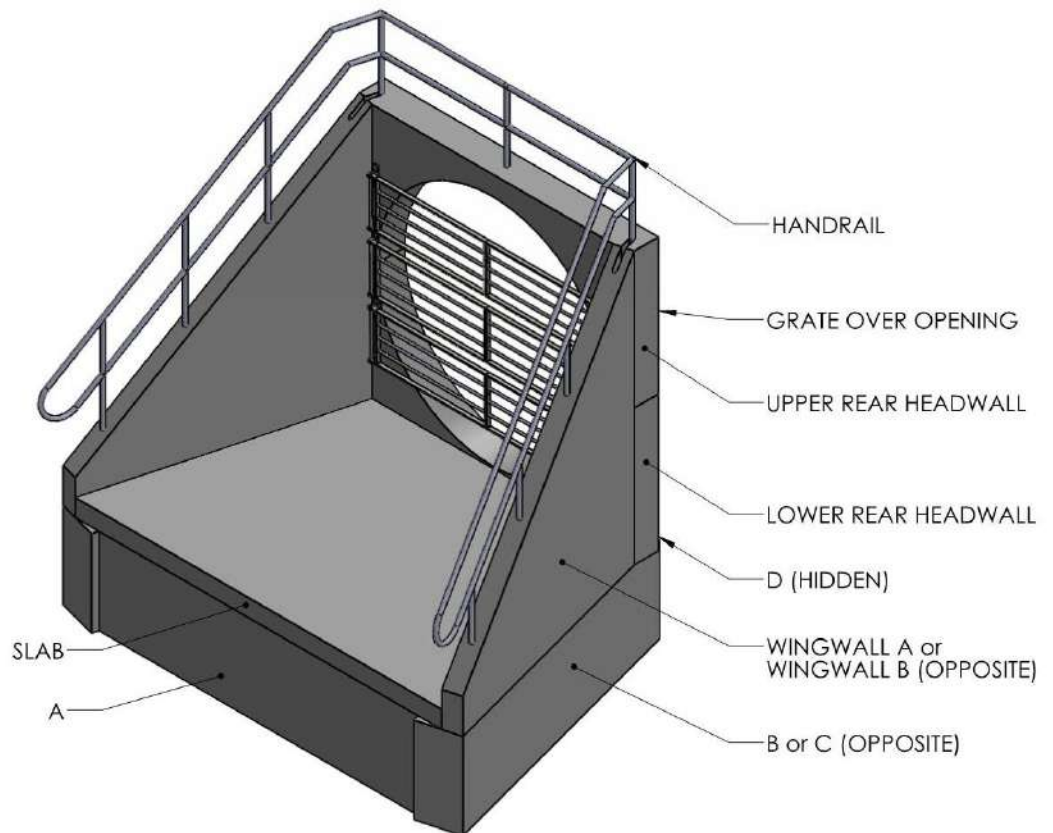
OPSD 804.040
Headwall (Modified)

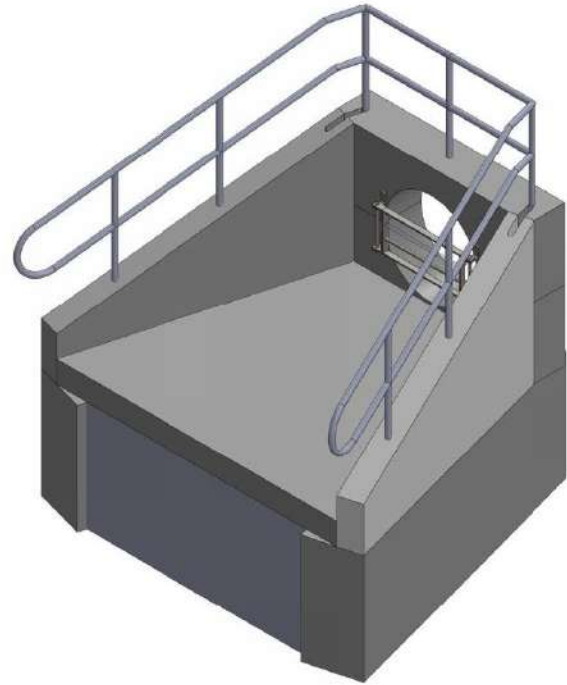
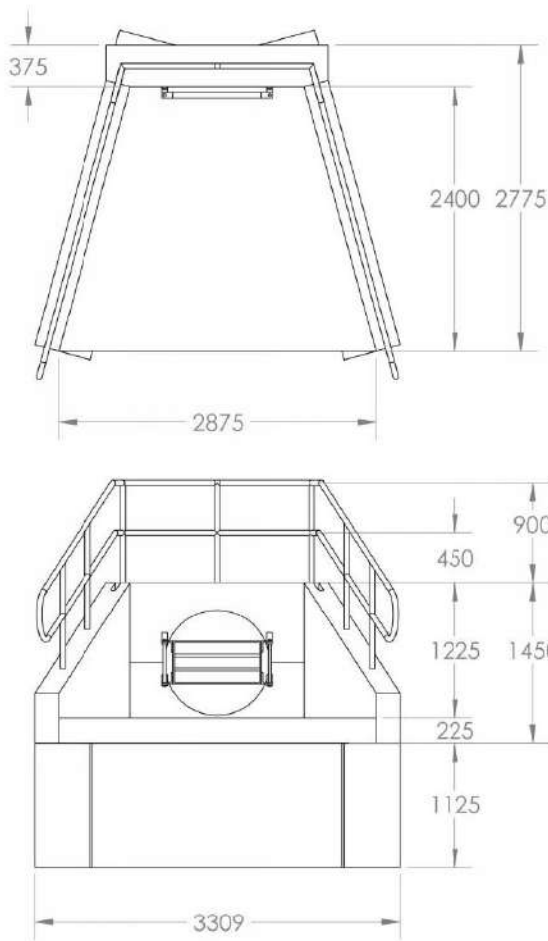




OPSD 804.040 Headwalls (Modified)

600 mm Ø	3
675 mm Ø	4
750 mm Ø	5
825 mm Ø	6
900 mm Ø	7
975 mm Ø	8
1050 mm Ø	9
1200 mm Ø	10
1350 mm Ø	11
1500 mm Ø	12
1650 mm Ø	13
1800 mm Ø	14
2400 mm Ø	15





REFERENCE STANDARDS:

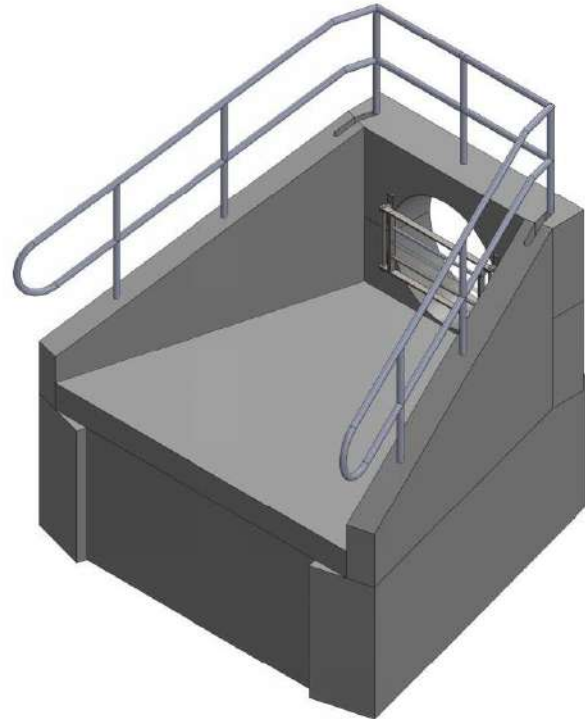
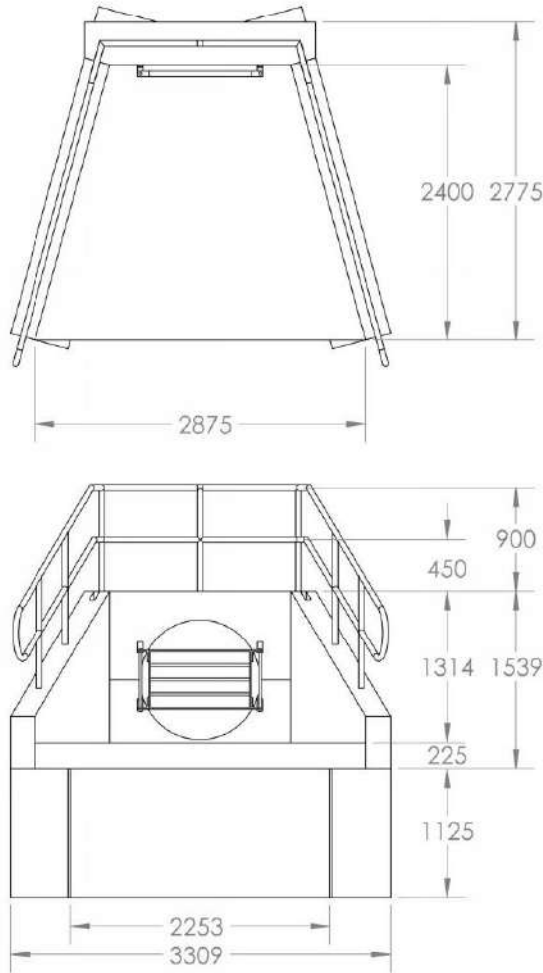
- Precast Alternative to OPSD 804.040
- Hand Rail to OPSD 980.101 (available upon request)
- Grating to OPSD 804.050 (available upon request)
- 35 MPa concrete cured in accordance with CSA A23.4, normal curing
- Reinforcing bars as per CAN/CSA G30.18, Grade 400W.

NOTES:

- Ideal for pipe outlets discharging into open water courses.
- Culvert Applications can also be accommodated upon special request.
- All elements provided as precast including footings; no site forming/casting required.

UNIT WEIGHTS:

- Footing A - 2993 kg
- **Footing B - 4190 kg**
- **Footing C - 4190 kg**
- Footing D - 1701 kg
- Slab - 2884 kg
- Wing Wall A - 1276 kg
- Wing Wall B – 1276 kg
- Upper Headwall - 992 kg
- Lower Headwall - 992 kg
- **Total – 20 493 kg**



REFERENCE STANDARDS:

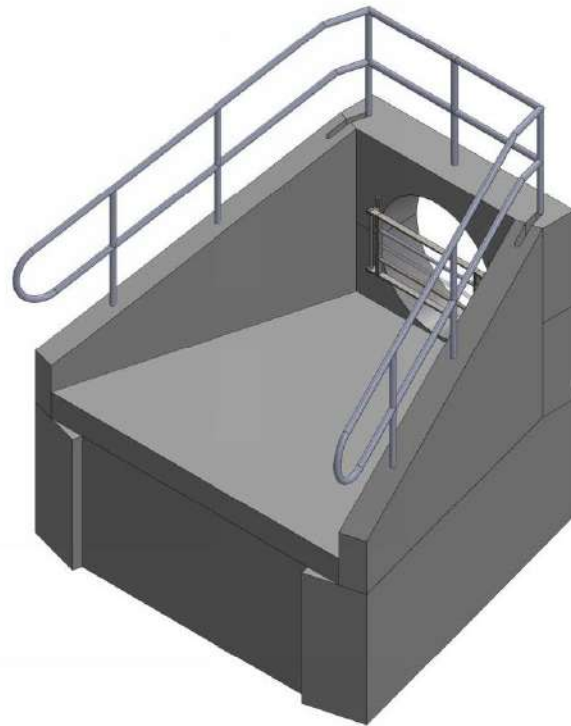
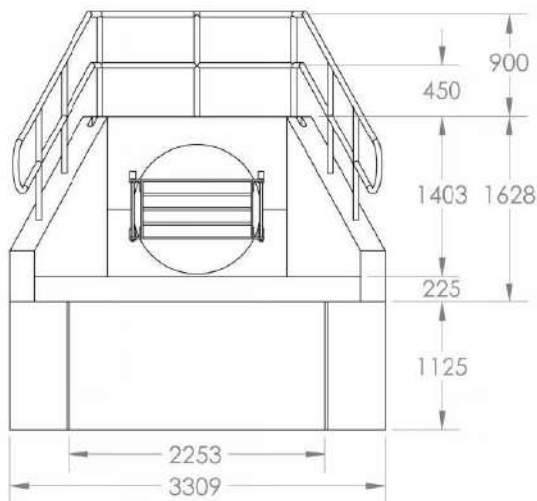
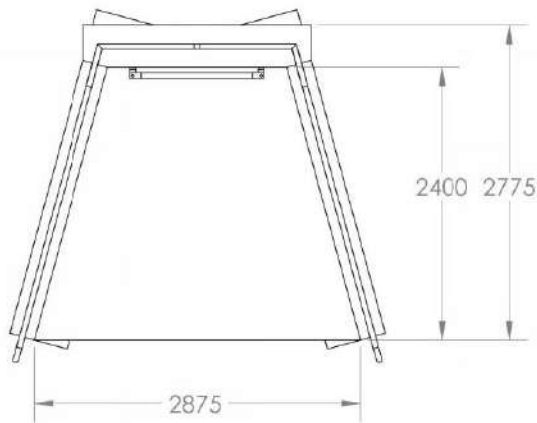
- Precast Alternative to OPSD 804.040
- Hand Rail to OPSD 980.101 (available upon request)
- Grating to OPSD 804.050 (available upon request)
- 35 MPa concrete cured in accordance with CSA A23.4, normal curing
- Reinforcing bars as per CAN/CSA G30.18, Grade 400W.

NOTES:

- Ideal for pipe outlets discharging into open water courses.
- Culvert Applications can also be accommodated upon special request.
- All elements provided as precast including footings; no site forming/casting required.

UNIT WEIGHTS:

- Footing A - 2993 kg
- **Footing B - 4190 kg**
- **Footing C - 4190 kg**
- Footing D - 1701 kg
- Slab - 2884 kg
- Wing Wall A - 1335 kg
- Wing Wall B - 1335 kg
- Upper Headwall - 1010 kg
- Lower Headwall - 1010 kg
- **Total – 20 648 kg**



REFERENCE STANDARDS:

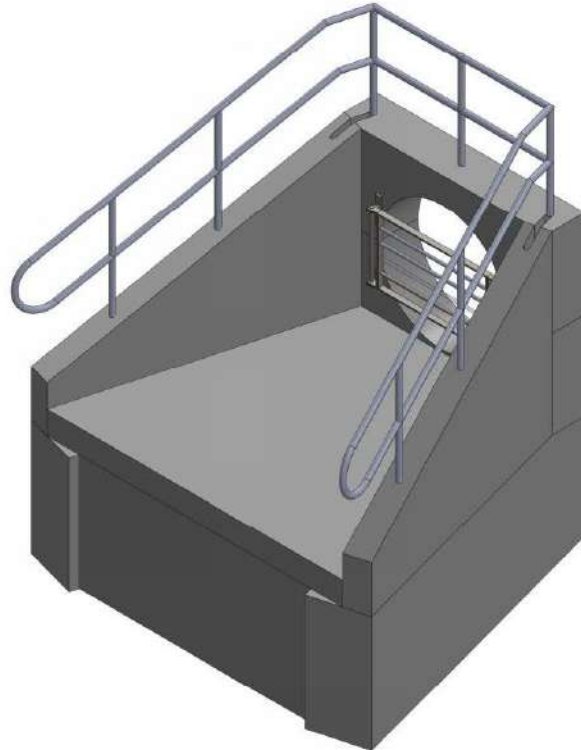
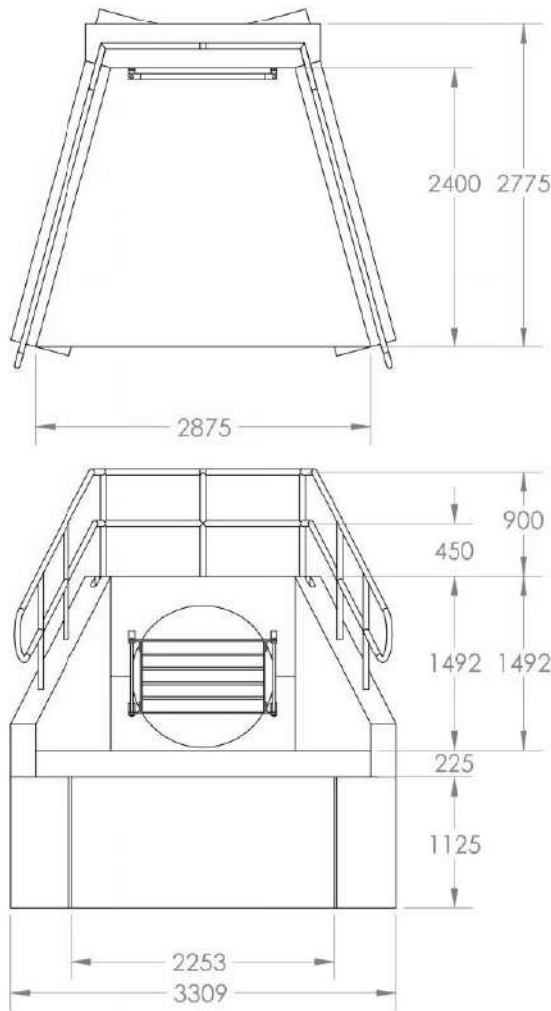
- Precast Alternative to OPSD 804.040
- Hand Rail to OPSD 980.101 (available upon request)
- Grating to OPSD 804.050 (available upon request)
- 35 MPa concrete cured in accordance with CSA A23.4, normal curing
- Reinforcing bars as per CAN/CSA G30.18, Grade 400W.

NOTES:

- Ideal for pipe outlets discharging into open water courses.
- Culvert Applications can also be accommodated upon special request.
- All elements provided as precast including footings; no site forming/casting required.

UNIT WEIGHTS:

- Footing A - 2993 kg
- **Footing B - 4190 kg**
- **Footing C - 4190 kg**
- Footing D - 1701 kg
- Slab - 2884 kg
- Wing Wall A - 1395 kg
- Wing Wall B – 1395 kg
- Upper Headwall - 1022 kg
- Lower Headwall - 1022 kg
- **Total – 20 792 kg**



REFERENCE STANDARDS:

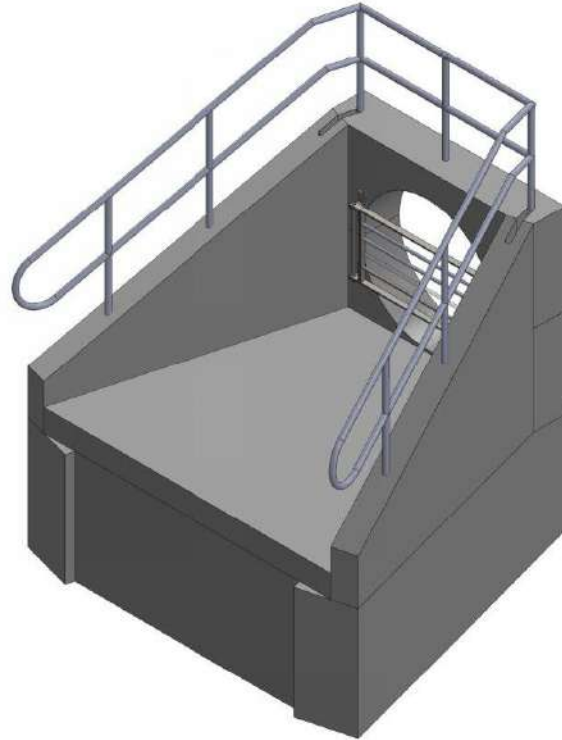
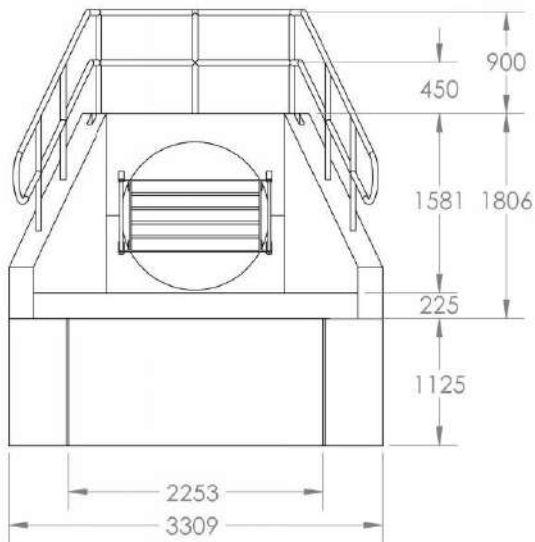
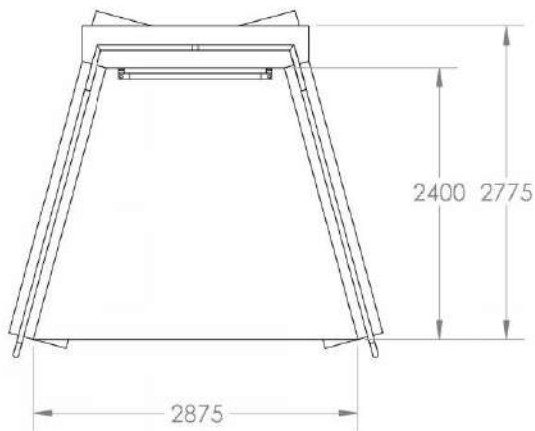
- Precast Alternative to OPSD 804.040
- Hand Rail to OPSD 980.101 (available upon request)
- Grating to OPSD 804.050 (available upon request)
- 35 MPa concrete cured in accordance with CSA A23.4, normal curing
- Reinforcing bars as per CAN/CSA G30.18, Grade 400W.

NOTES:

- Ideal for pipe outlets discharging into open water courses.
- Culvert Applications can also be accommodated upon special request.
- All elements provided as precast including footings; no site forming/casting required.

UNIT WEIGHTS:

- Footing A - 2993 kg
- Footing B - 4190 kg
- Footing C - 4190 kg
- Footing D - 1701 kg
- Slab - 2884 kg
- Wing Wall A - 1455 kg
- Wing Wall B - 1455 kg
- Upper Headwall - 1029 kg
- Lower Headwall - 1029 kg
- Total – 20 925 kg**



REFERENCE STANDARDS:

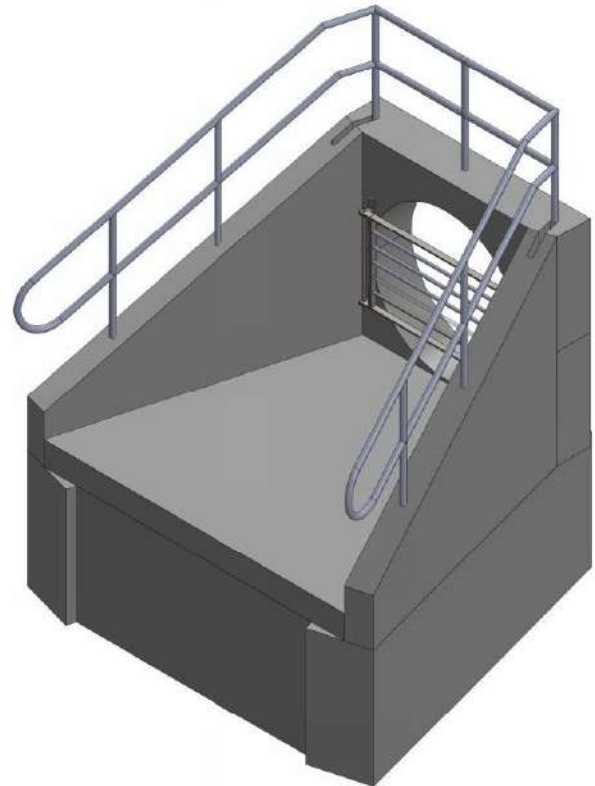
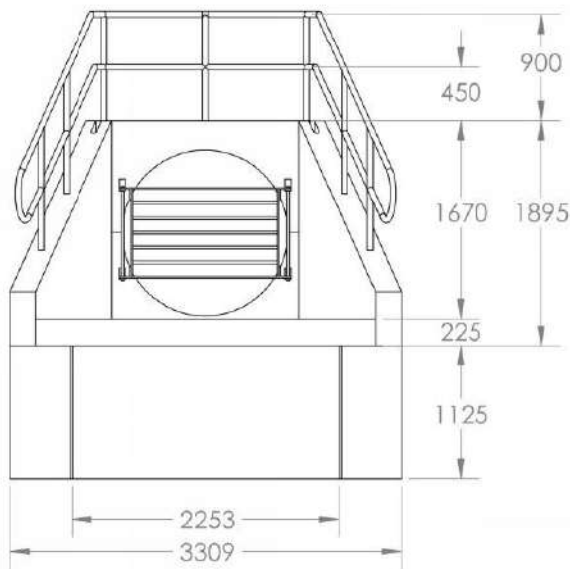
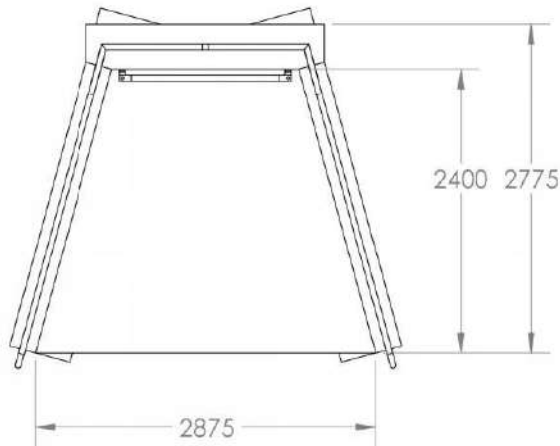
- Precast Alternative to OPSD 804.040
- Hand Rail to OPSD 980.101 (available upon request)
- Grating to OPSD 804.050 (available upon request)
- 35 MPa concrete cured in accordance with CSA A23.4, normal curing
- Reinforcing bars as per CAN/CSA G30.18, Grade 400W.

NOTES:

- Ideal for pipe outlets discharging into open water courses.
- Culvert Applications can also be accommodated upon special request.
- All elements provided as precast including footings; no site forming/casting required.

UNIT WEIGHTS:

- Footing A - 2993 kg
- **Footing B - 4190 kg**
- **Footing C - 4190 kg**
- Footing D - 1701 kg
- Slab - 2884 kg
- Wing Wall A - 1515 kg
- Wing Wall B – 1515 kg
- Upper Headwall - 1030 kg
- Lower Headwall - 1030 kg
- **Total – 21 047 kg**



REFERENCE STANDARDS:

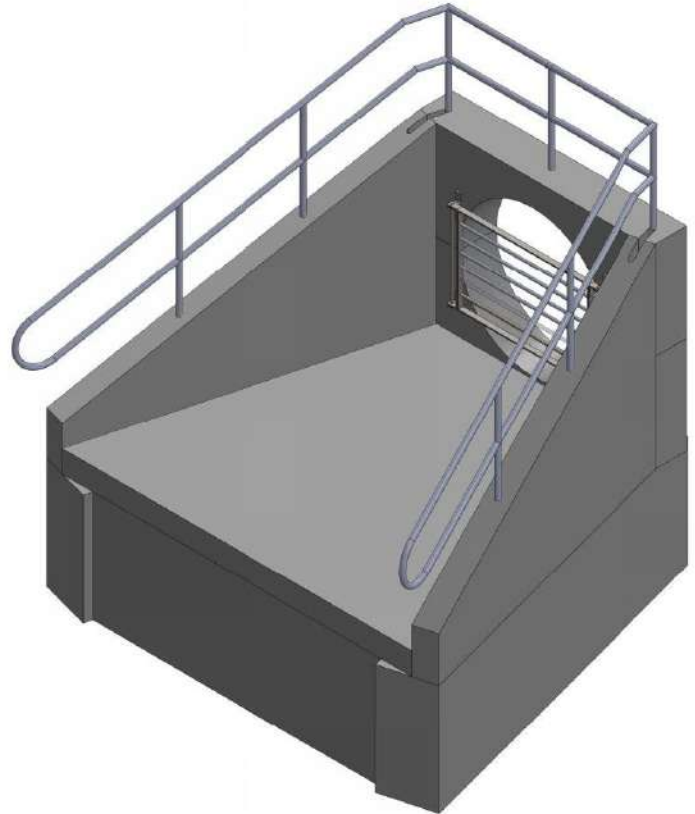
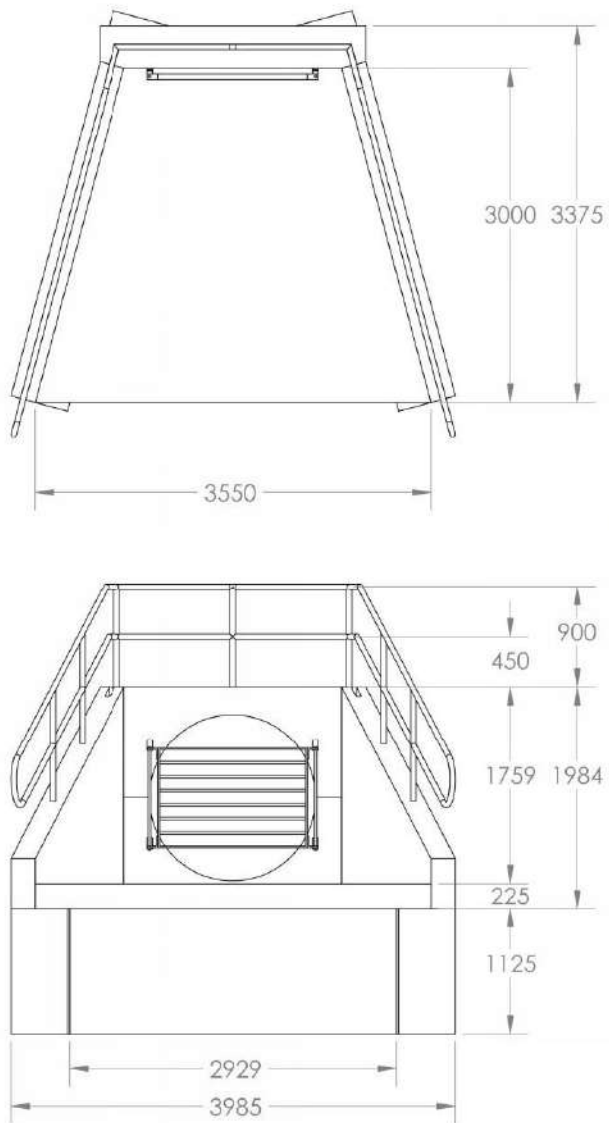
- Precast Alternative to OPSD 804.040
- Hand Rail to OPSD 980.101 (available upon request)
- Grating to OPSD 804.050 (available upon request)
- 35 MPa concrete cured in accordance with CSA A23.4, normal curing
- Reinforcing bars as per CAN/CSA G30.18, Grade 400W.

NOTES:

- Ideal for pipe outlets discharging into open water courses.
- Culvert Applications can also be accommodated upon special request.
- All elements provided as precast including footings; no site forming/casting required.

UNIT WEIGHTS:

- Footing A - 2993 kg
- **Footing B - 4190 kg**
- **Footing C - 4190 kg**
- Footing D - 1701 kg
- Slab - 2884 kg
- Wing Wall A - 1574 kg
- Wing Wall B – 1574 kg
- Upper Headwall - 1026 kg
- Lower Headwall - 1026 kg
- **Total – 21 158 kg**



REFERENCE STANDARDS:

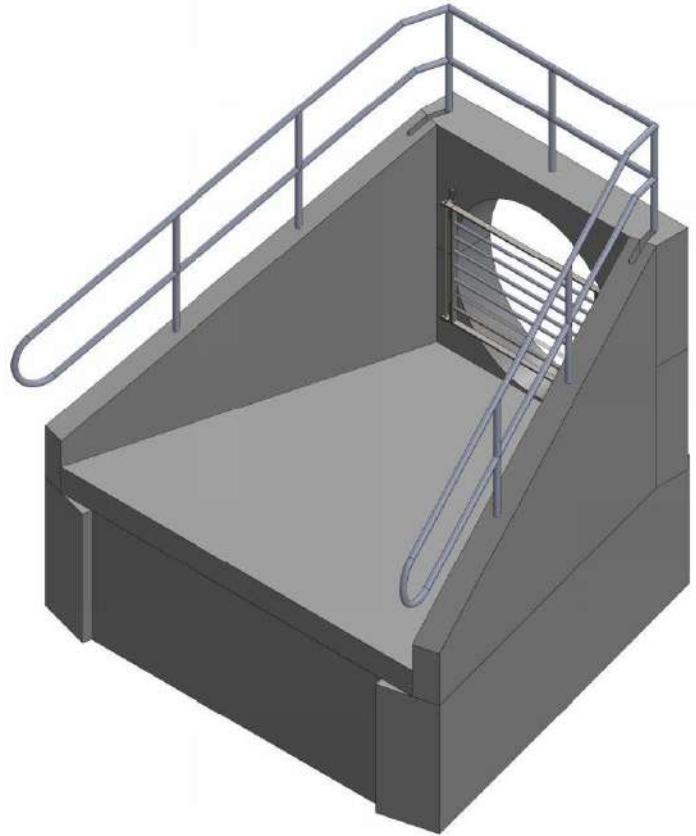
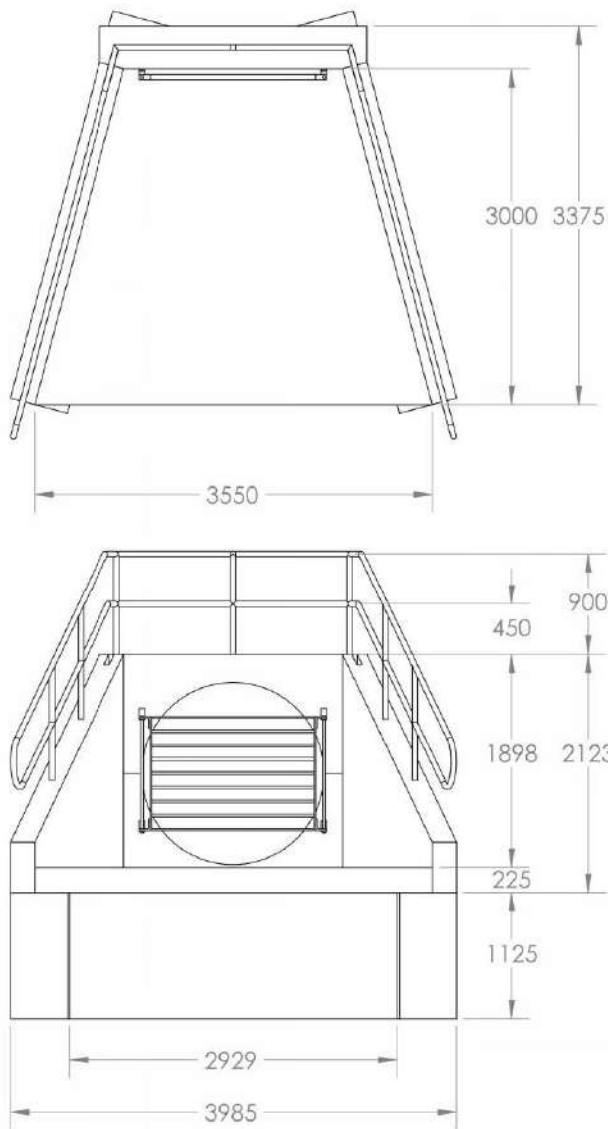
- Precast Alternative to OPSD 804.040
- Hand Rail to OPSD 980.101 (available upon request)
- Grating to OPSD 804.050 (available upon request)
- 35 MPa concrete cured in accordance with CSA A23.4, normal curing
- Reinforcing bars as per CAN/CSA G30.18, Grade 400W.

NOTES:

- Ideal for pipe outlets discharging into open water courses.
- Culvert Applications can also be accommodated upon special request.
- All elements provided as precast including footings; no site forming/casting required.

UNIT WEIGHTS:

- Footing A - 3953 kg
- **Footing B - 5065 kg**
- **Footing C - 5065 kg**
- Footing D - 2386 kg
- Slab - 4455 kg
- Wing Wall A - 2040 kg
- Wing Wall B – 2040 kg
- Upper Headwall - 1351 kg
- Lower Headwall - 1351 kg
- **Total – 27 706 kg**



REFERENCE STANDARDS:

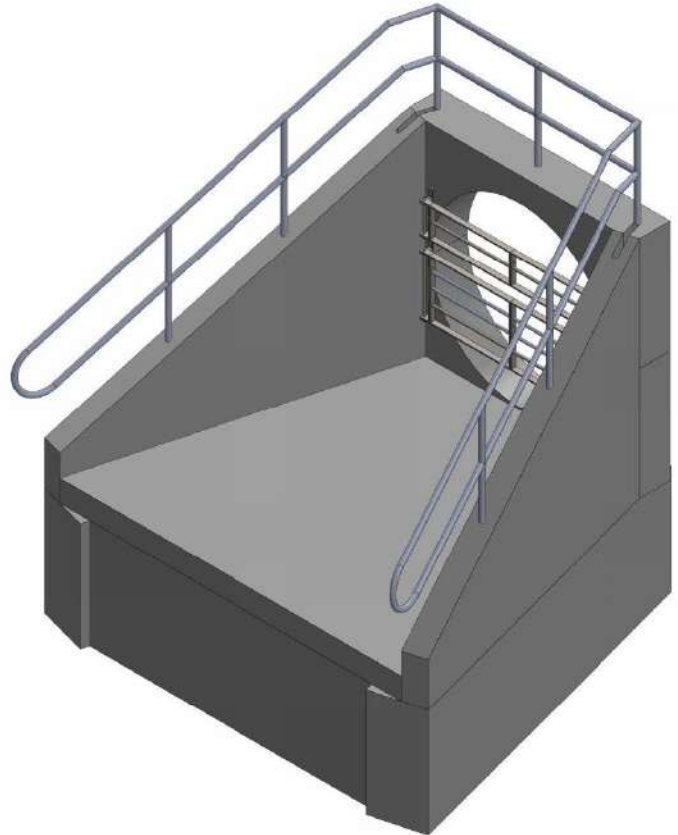
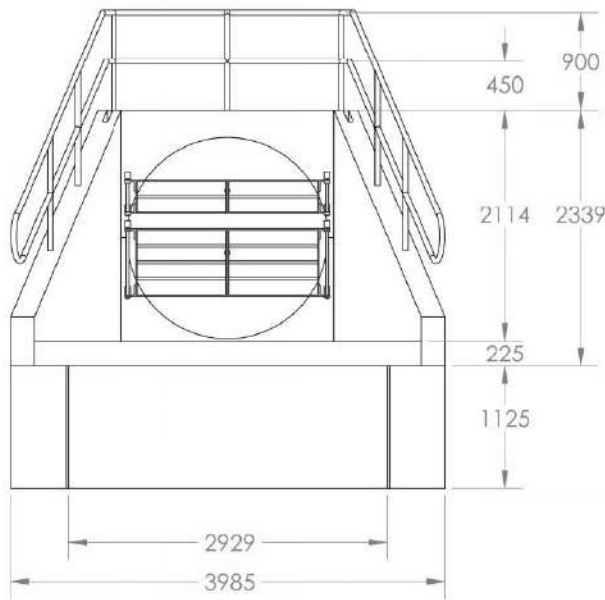
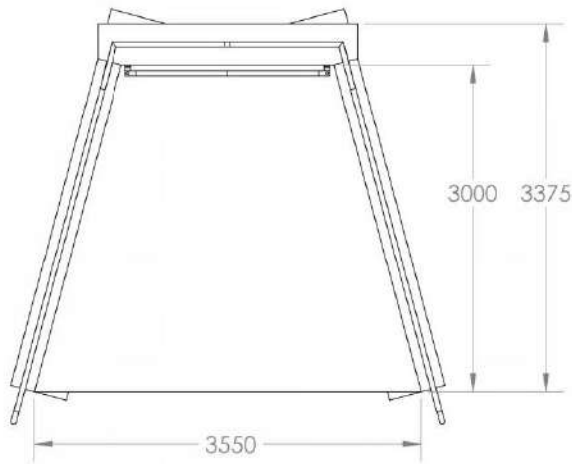
- Precast Alternative to OPSD 804.040
- Hand Rail to OPSD 980.101 (available upon request)
- Grating to OPSD 804.050 (available upon request)
- 35 MPa concrete cured in accordance with CSA A23.4, normal curing
- Reinforcing bars as per CAN/CSA G30.18, Grade 400W.

NOTES:

- Ideal for pipe outlets discharging into open water courses.
- Culvert Applications can also be accommodated upon special request.
- All elements provided as precast including footings; no site forming/casting required.

UNIT WEIGHTS:

- Footing A - 3953 kg
- **Footing B - 5065 kg**
- **Footing C - 5065 kg**
- Footing D - 2386 kg
- Slab - 4455 kg
- Wing Wall A - 2157 kg
- Wing Wall B – 2157 kg
- Upper Headwall - 1347 kg
- Lower Headwall - 1347 kg
- **Total – 27 932 kg**



REFERENCE STANDARDS:

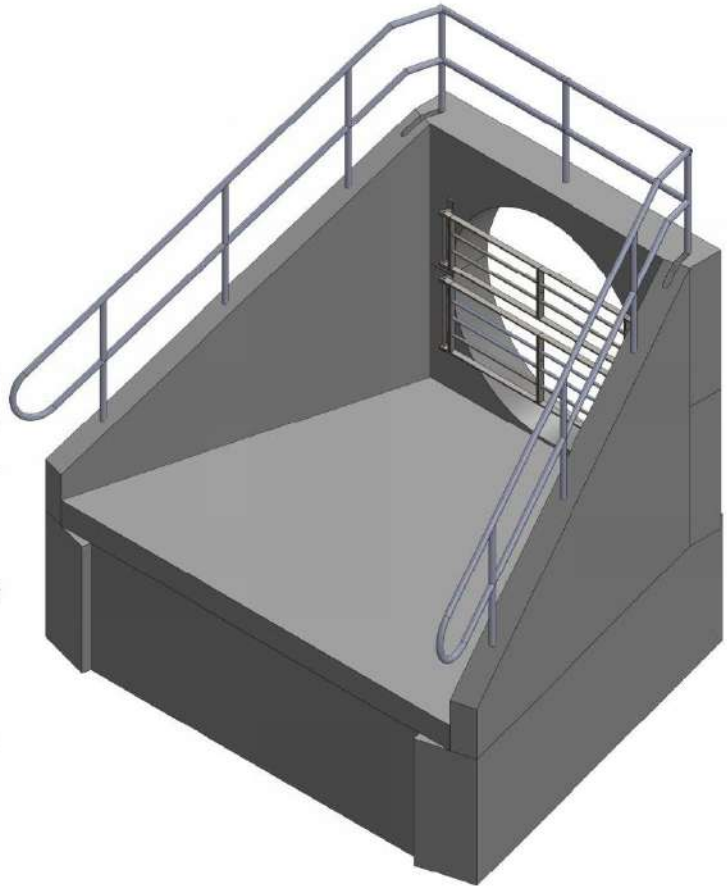
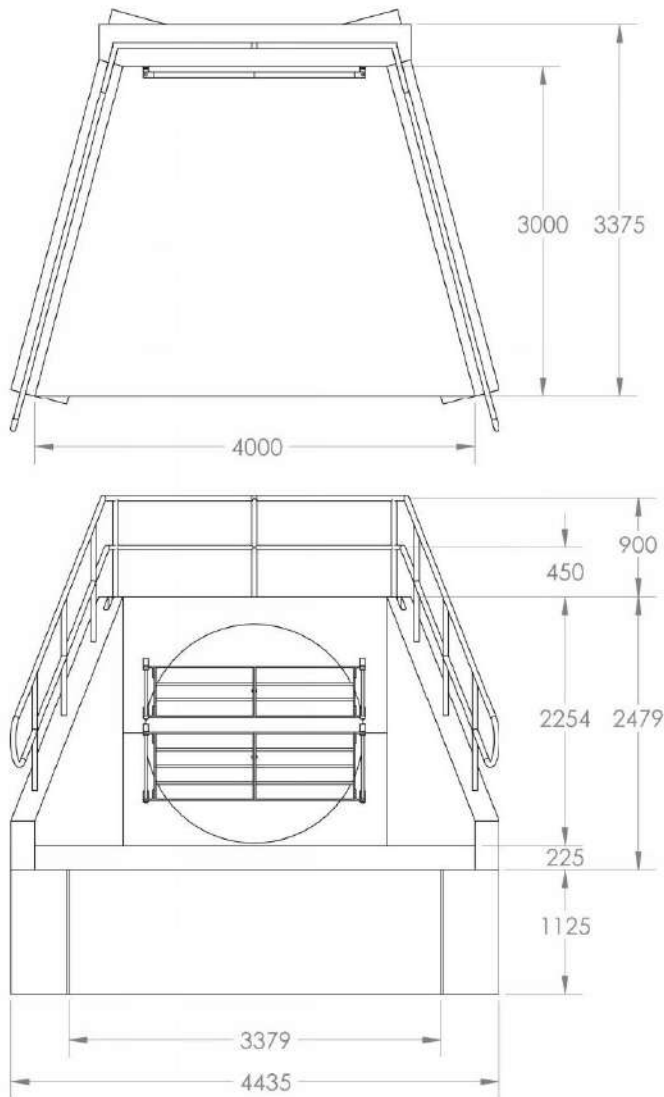
- Precast Alternative to OPSD 804.040
- Hand Rail to OPSD 980.101 (available upon request)
- Grating to OPSD 804.050 (available upon request)
- 35 MPa concrete cured in accordance with CSA A23.4, normal curing
- Reinforcing bars as per CAN/CSA G30.18, Grade 400W.

NOTES:

- Ideal for pipe outlets discharging into open water courses.
- Culvert Applications can also be accommodated upon special request.
- All elements provided as precast including footings; no site forming/casting required.

UNIT WEIGHTS:

- Footing A - 3953 kg
- **Footing B - 5065 kg**
- **Footing C - 5065 kg**
- Footing D - 2386 kg
- Slab - 4455 kg
- Wing Wall A - 2338 kg
- Wing Wall B – 2338 kg
- Upper Headwall - 1315 kg
- Lower Headwall - 1315 kg
- **Total – 28 229 kg**



REFERENCE STANDARDS:

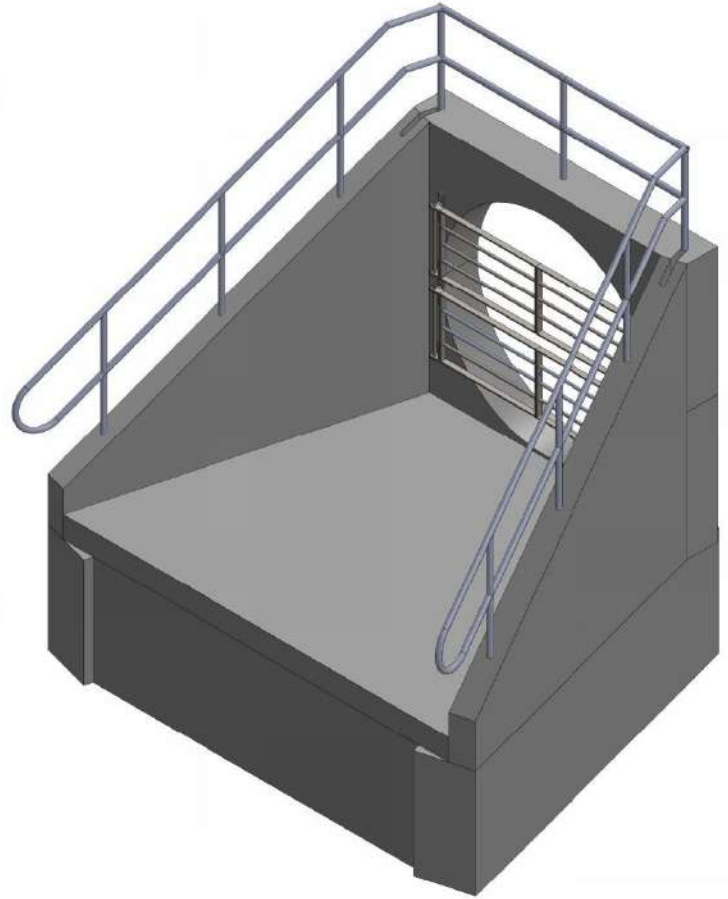
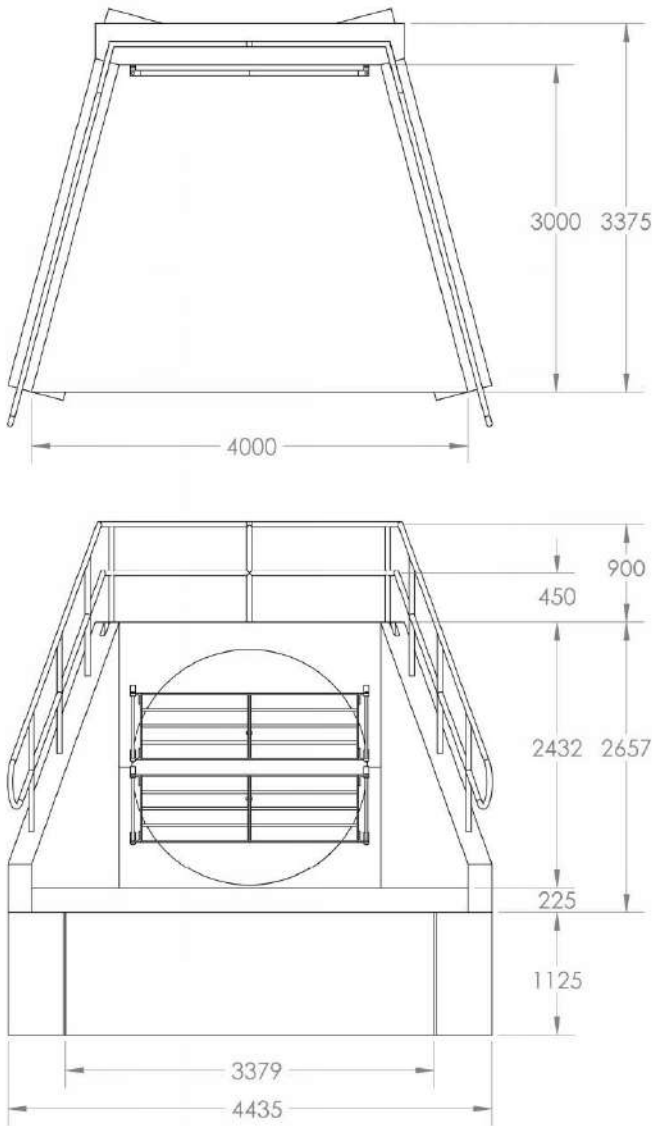
- Precast Alternative to OPSD 804.040
- Hand Rail to OPSD 980.101 (available upon request)
- Grating to OPSD 804.050 (available upon request)
- 35 MPa concrete cured in accordance with CSA A23.4, normal curing
- Reinforcing bars as per CAN/CSA G30.18, Grade 400W.

NOTES:

- Ideal for pipe outlets discharging into open water courses.
- Culvert Applications can also be accommodated upon special request.
- All elements provided as precast including footings; no site forming/casting required.

UNIT WEIGHTS:

- Footing A - 4591 kg
- **Footing B - 5065 kg**
- **Footing C - 5065 kg**
- Footing D - 3206 kg
- Slab - 5184 kg
- Wing Wall A - 2455 kg
- Wing Wall B – 2455 kg
- Upper Headwall - 1778 kg
- Lower Headwall - 1778 kg
- **Total – 31 578 kg**



REFERENCE STANDARDS:

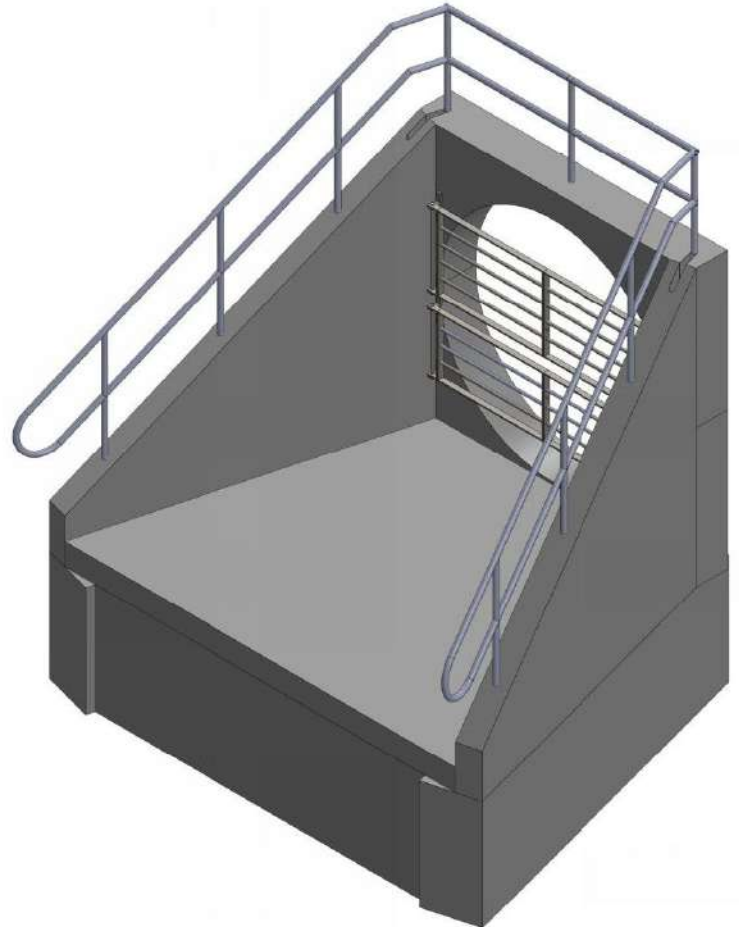
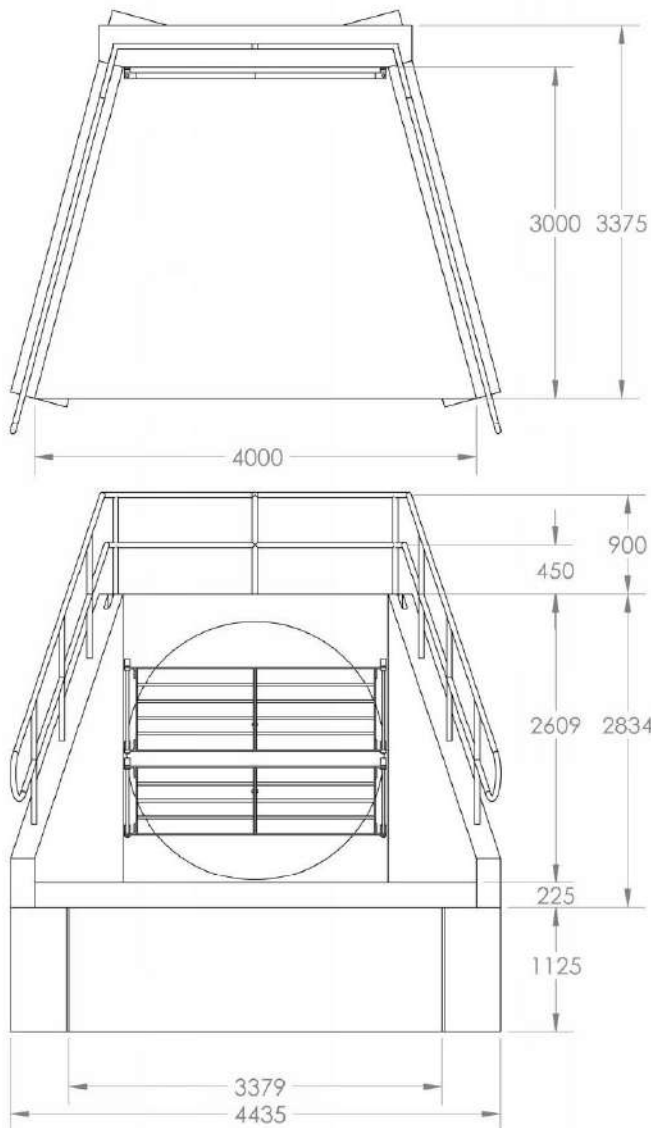
- Precast Alternative to OPSD 804.040
- Hand Rail to OPSD 980.101 (available upon request)
- Grating to OPSD 804.050 (available upon request)
- 35 MPa concrete cured in accordance with CSA A23.4, normal curing
- Reinforcing bars as per CAN/CSA G30.18, Grade 400W.

NOTES:

- Ideal for pipe outlets discharging into open water courses.
- Culvert Applications can also be accommodated upon special request.
- All elements provided as precast including footings; no site forming/casting required.

UNIT WEIGHTS:

- Footing A - 4591 kg
- **Footing B - 5065 kg**
- **Footing C - 5065 kg**
- Footing D - 3206 kg
- Slab - 5184 kg
- Wing Wall A - 2605 kg
- Wing Wall B – 2605 kg
- Upper Headwall - 1745 kg
- Lower Headwall - 1745 kg
- **Total – 31 810 kg**



REFERENCE STANDARDS:

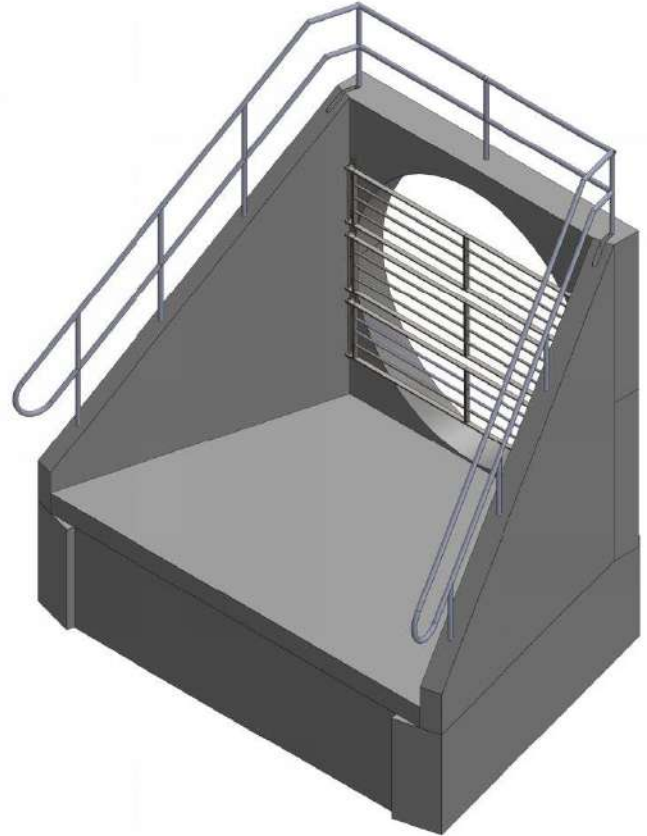
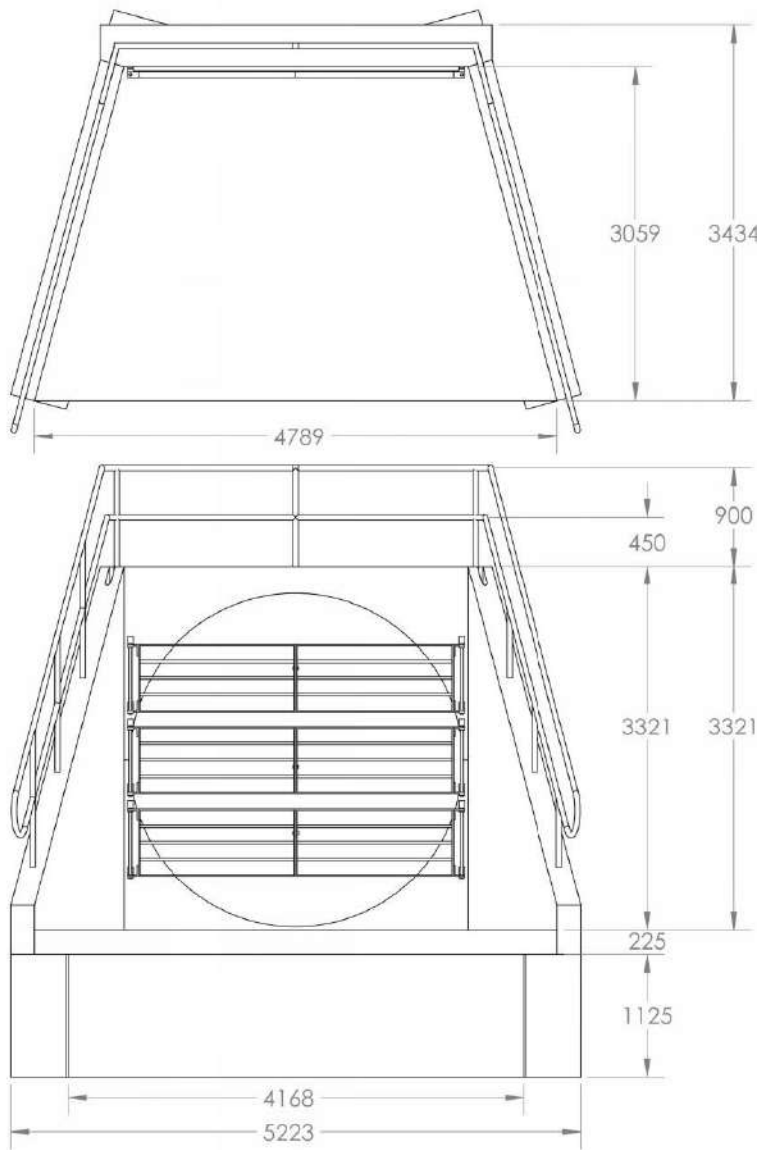
- Precast Alternative to OPSD 804.040
- Hand Rail to OPSD 980.101 (available upon request)
- Grating to OPSD 804.050 (available upon request)
- 35 MPa concrete cured in accordance with CSA A23.4, normal curing
- Reinforcing bars as per CAN/CSA G30.18, Grade 400W.

NOTES:

- Ideal for pipe outlets discharging into open water courses.
- Culvert Applications can also be accommodated upon special request.
- All elements provided as precast including footings; no site forming/casting required.

UNIT WEIGHTS:

- Footing A - 4591 kg
- **Footing B - 5065 kg**
- **Footing C - 5065 kg**
- Footing D - 3206 kg
- Slab - 5184 kg
- Wing Wall A - 2753 kg
- Wing Wall B - 2753 kg
- Upper Headwall - 1690 kg
- Lower Headwall - 1690 kg
- **Total - 31 996 kg**



REFERENCE STANDARDS:

- Precast Alternative to OPSD 804.040
- Hand Rail to OPSD 980.101 (available upon request)
- Grating to OPSD 804.050 (available upon request)
- 35 MPa concrete cured in accordance with CSA A23.4, normal curing
- Reinforcing bars as per CAN/CSA G30.18, Grade 400W.

NOTES:

- Ideal for pipe outlets discharging into open water courses.
- Culvert Applications can also be accommodated upon special request.
- All elements provided as precast including footings; no site forming/casting required.

UNIT WEIGHTS:

- Footing A - 5709 kg
- **Footing B - 5153 kg**
- **Footing C - 5153 kg**
- Footing D - 4573 kg
- Slab - 6555 kg
- Wing Wall A - 3416 kg
- Wing Wall B – 3416 kg
- Upper Headwall - 2441 kg
- Lower Headwall - 2441 kg
- **Total – 38 856 kg**

CONTACT US TODAY TO EXPERIENCE
THE HY-GRADE ADVANTAGE!



Hy-Grade Precast Concrete
2411 First Street Louth
St.Catharines, Ontario
L2R 6P7, Canada

Toll Free: 1 800 229 8568
Tel: 905 684 8568
Fax: 905 684 8560

hygradeprecast.com

