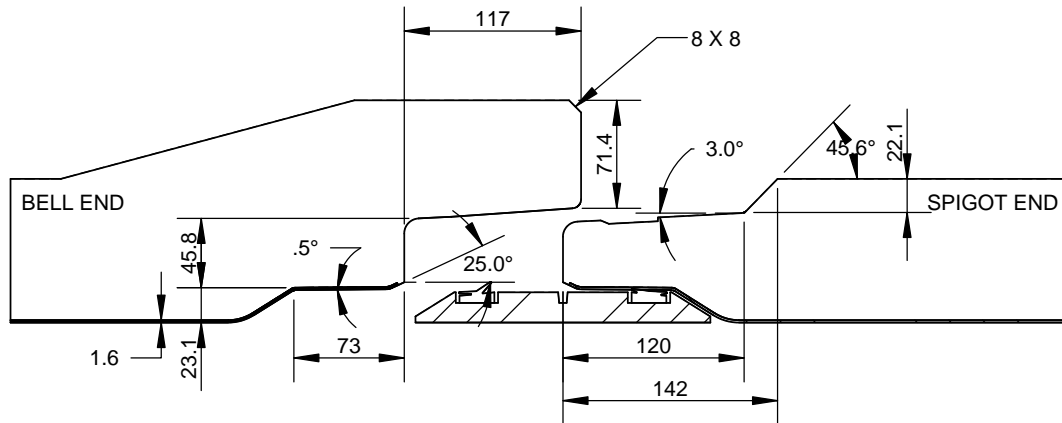
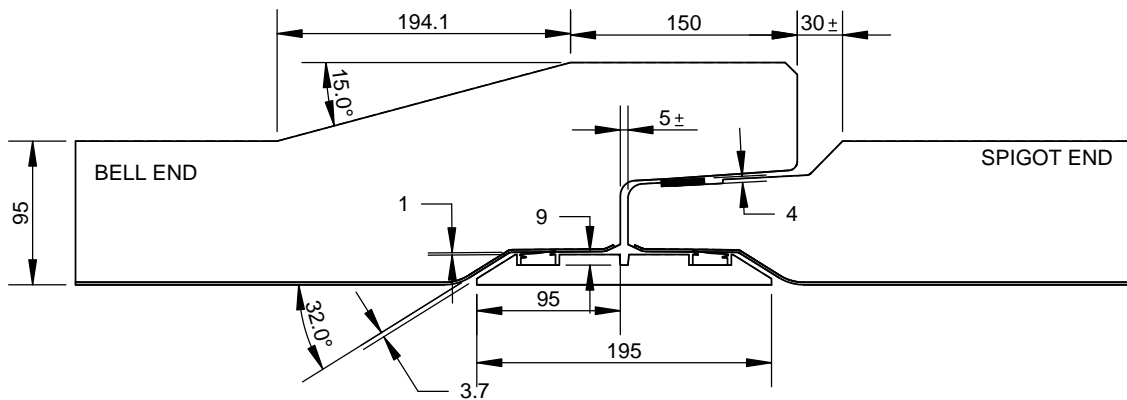


**ISOMETRIC VIEW**



**JOINT DIS-ENGAGED**



**JOINT ENGAGED**

ALL DIMENSIONS ARE IN mm  
DRAWINGS ARE NOT TO SCALE

REFER TO PL0600X5 FOR PIPE DETAIL

**CON CAST PIPE (CCP) STANDARD DRAWING**

STD.	DOC ID			PL0600J
TITLE	<b>LINED REINFORCED CONCRETE PIPE 600mm DIAMETER JOINT DETAIL</b>			
DRAWN BY	CHECKED BY	DATE	FILE	PAGE
SW	SW	31MAY16	PL0600J	1 OF 1
REV.	DESCRIPTION	ENG.	DATE	
1	ADDED DETAILS	SW	19OCT16	
0	INITIAL RELEASE	SW	31MAR16	

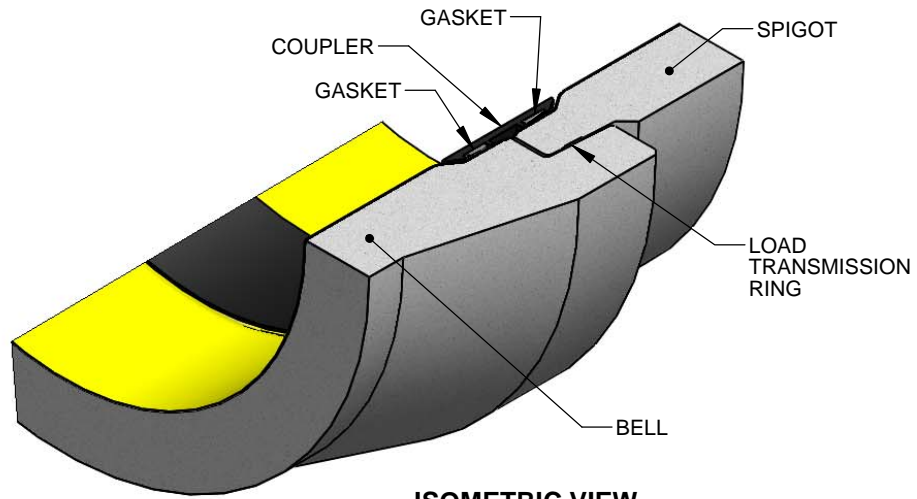


**CONCAST** RR 3 Guelph, ON N1H 6H9

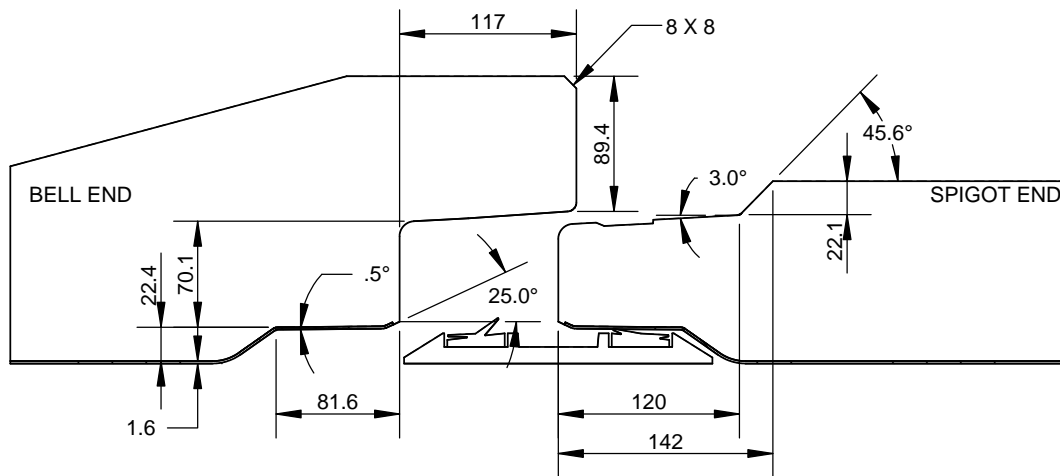
Fax: (519) 763-1956

1-800-668-7473

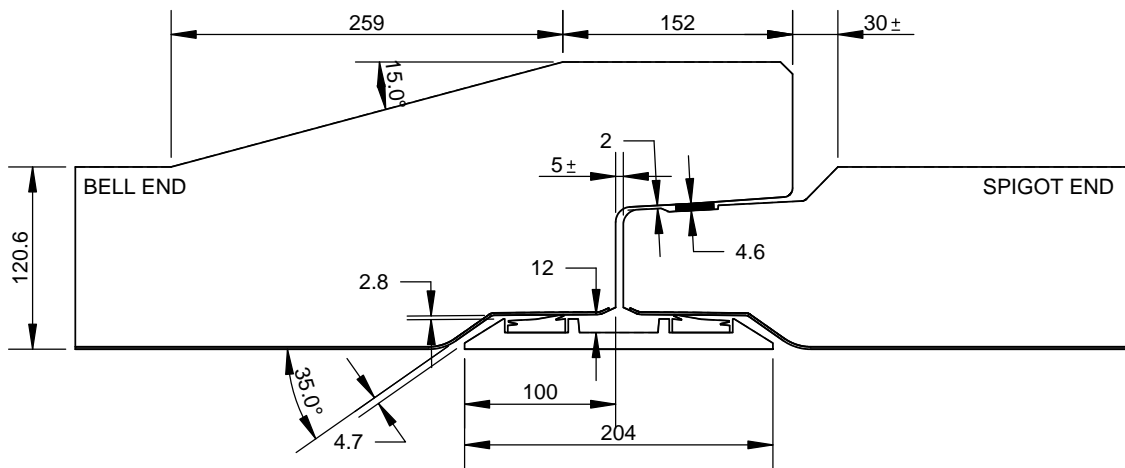
www.concastpipe.com



ISOMETRIC VIEW



JOINT DIS-ENGAGED



JOINT ENGAGED

ALL DIMENSIONS ARE IN mm  
DRAWINGS ARE NOT TO SCALE

REFER TO PL0900X5 FOR PIPE DETAIL

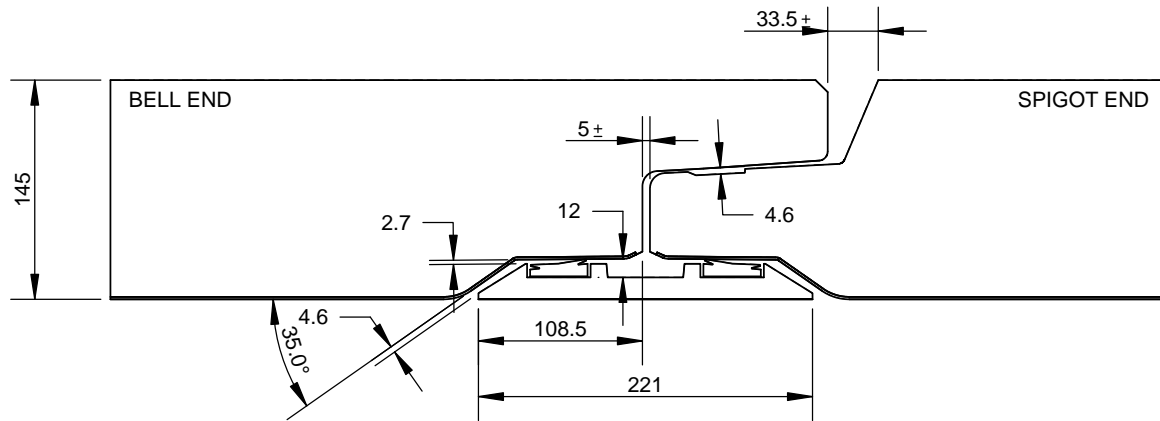
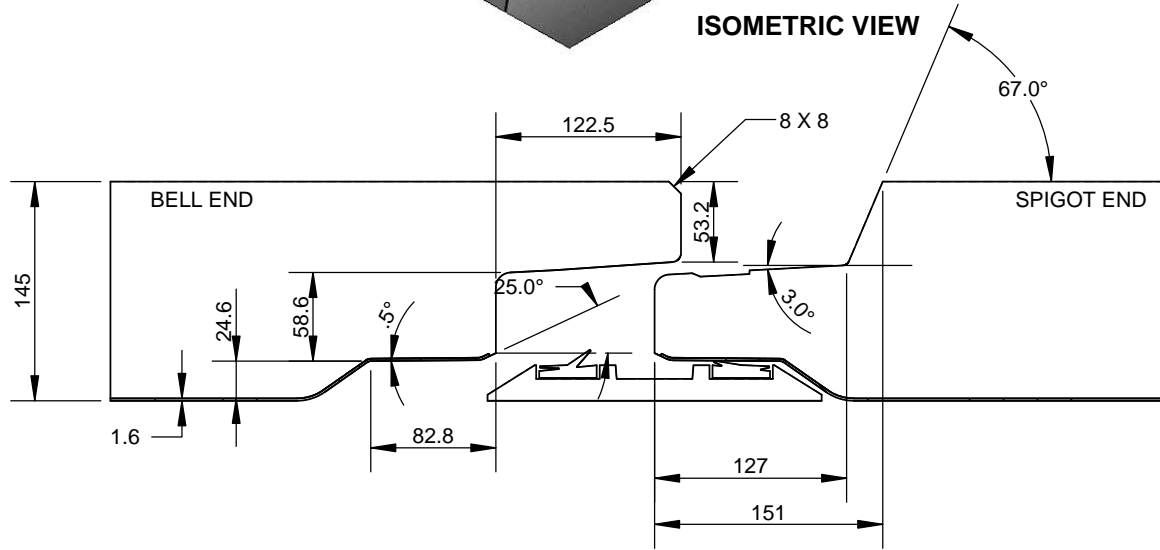
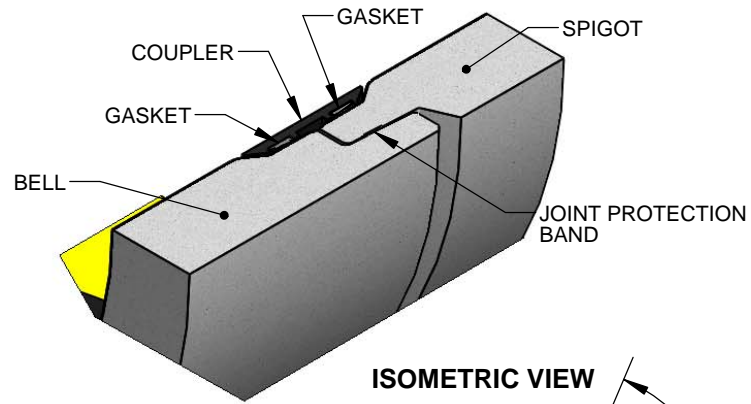
CON CAST PIPE (CCP) STANDARD DRAWING

STD. \_\_\_\_\_ DOC ID PL0900J

TITLE  
**LINED REINFORCED CONCRETE PIPE  
900 mm DIAMETER  
JOINT DETAIL**

1	ADD DETAILS	SW	19OCT16
0	INITIAL RELEASE	SM	4APR16
REV.	DESCRIPTION	ENG.	DATE

DRAWN BY SW	CHECKED BY SM	DATE 4APR16	FILE PL0900J	PAGE 1 OF 1
----------------	------------------	----------------	-----------------	----------------



ALL DIMENSIONS ARE IN mm  
DRAWINGS ARE NOT TO SCALE

REFER TO PL1200X5 FOR PIPE DETAIL

**CON CAST PIPE (CCP) STANDARD DRAWING**

STD.	DOC ID PL1200J		
TITLE	<b>LINED REINFORCED CONCRETE PIPE 1200 mm DIAMETER JOINT DETAIL</b>		
DRAWN BY	CHECKED BY	DATE	FILE
SW	SM	4APR16	PL1200J
REV.	DESCRIPTION	ENG.	DATE
1	ADDED DETAILS	SW	20OCT16
0	INITIAL RELEASE	SW	4APR16