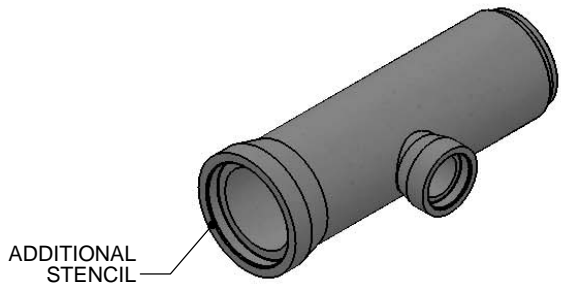
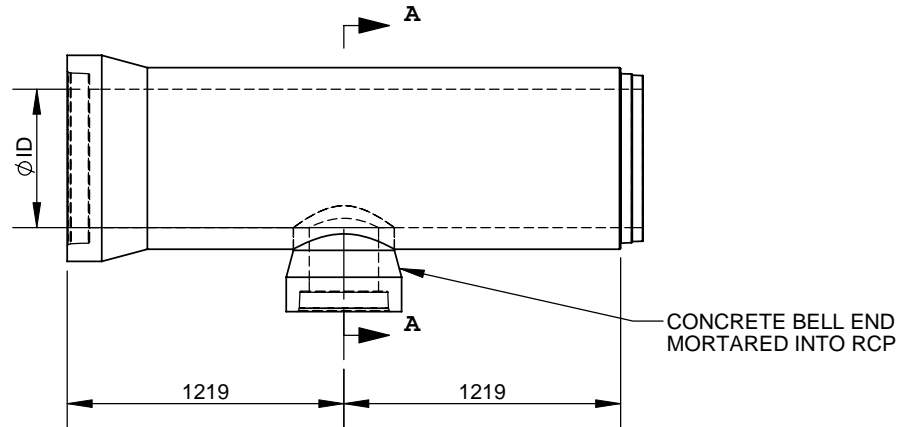


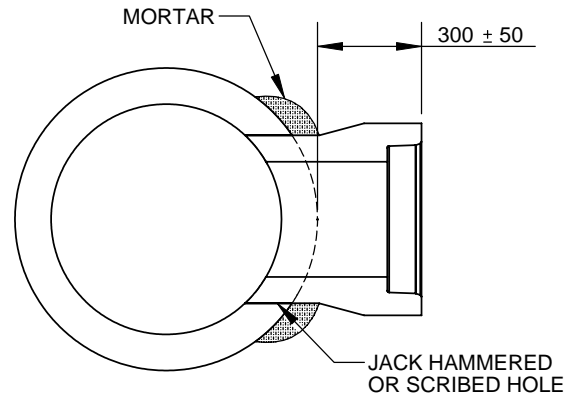
ADD'L STENCIL
(SIZE) CONC TEE



ISOMETRIC VIEW



PLAN VIEW



FITTING DETAIL - SECTION A

PRODUCT VARIABLES								
PART ID*	PIPE SIZE	INNER DIA. (ID)	CONCRETE TEE SIZE					
			150	200	250	300	375	450
PT0300c4-10t	300	305	Y	Y	Y			
PT0375c4-10t	375	381	Y	Y	Y	Y		
PT0450c4-10t	450	457	Y	Y	Y	Y	Y	
PT0525c4-10t	525	533	Y	Y	Y	Y	Y	Y
PT0600c4-10t	600	610	Y	Y	Y	Y	Y	Y
PT0675c4-10t	675	686	Y	Y	Y	Y	Y	Y
PT0750c4-10t	750	762	Y	Y	Y	Y	Y	Y
PT0825c4-10t	825	838	Y	Y	Y	Y	Y	Y
PT0900c4-10t	900	914	Y	Y	Y	Y	Y	Y

* PART ID NOTES
(c) PIPE CLASS: 2 - 50-D; 3 - 65-D; 4 - 100-D; 5 - 140-D
(t) TEE SIZE CODE: 3 - 150; 4 - 200; 5 - 250; 6 - 300;
7 - 375; 8 - 450; 9 - 525

ENGINEER STAMP (IF REQUIRED)

ALL DIMENSIONS ARE IN mm
DRAWINGS ARE NOT TO SCALE

TEE LOCATION TOLERANCE ± 50

CON CAST PIPE (CCP) STANDARD DRAWING

STD. CSA A257.2-09

PART PT0XXXX-10X

TITLE

REINFORCED CONCRETE PIPE
300 - 900mm
STANDARD CONCRETE TEE

0	INITIAL RELEASE	MT	26/JAN/12
REV.	DESCRIPTION	ENG.	DATE

DRAWN BY MT	CHECKED BY SW	DATE 26/JAN/12	FILE PipeCONCTEE.SLDRW	PAGE 1 OF 1
----------------	------------------	-------------------	---------------------------	----------------