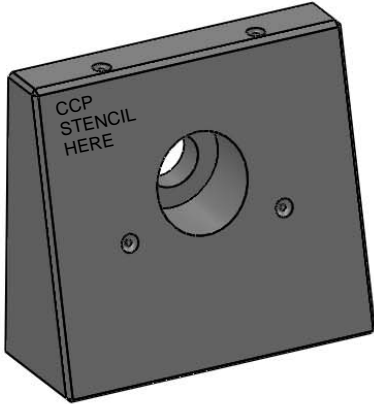
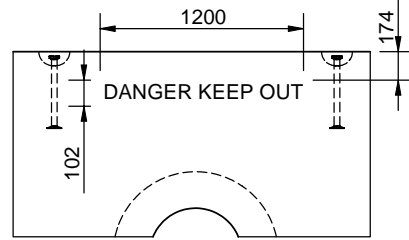


Part ID	w/ GRATE	Pipe ID	OD	H	D	T	W	Anchor Size	A	B	WIP PART ID	B15-1	B15-2	X15-3	Mass (kg)
HA03001	HA03002	305	546.1	1655	670	715	1870	4TON x 240 (9 1/2")	468	785	WIP1HA0300	1770	1555	N/A	3668
HA03751	HA03752	381	635.0	1745	715	735	2040	4TON x 240 (9 1/2")	510	822	WIP1HA0375	1940	1645	N/A	4255
HA04501	HA04502	457	723.9	1830	760	760	2210	4TON x 240 (9 1/2")	553	854	WIP1HA0450	2110	1730	N/A	4892
HA05251	HA05252	533	812.8	1920	805	780	2385	4TON x 240 (9 1/2")	596	888	WIP1HA0525	2285	1820	N/A	5582
HA06001	HA06002	610	901.7	2010	850	805	2555	4TON x 240 (9 1/2")	639	921	WIP1HA0600	2455	1910	1110	6336
HA06751	HA06752	686	990.6	2100	895	825	2725	4TON x 240 (9 1/2")	681	954	WIP1HA0675	2625	2000	1186	7114
HA07501	HA07502	762	1079.5	2190	940	845	2900	8TON x 210 (8 1/4")	725	987	WIP1HA0750	2800	2090	1262	7958
HA08251	HA08252	838	1168.4	2275	985	870	3070	8TON x 210 (8 1/4")	768	1018	WIP1HA0825	2970	2175	1338	8854

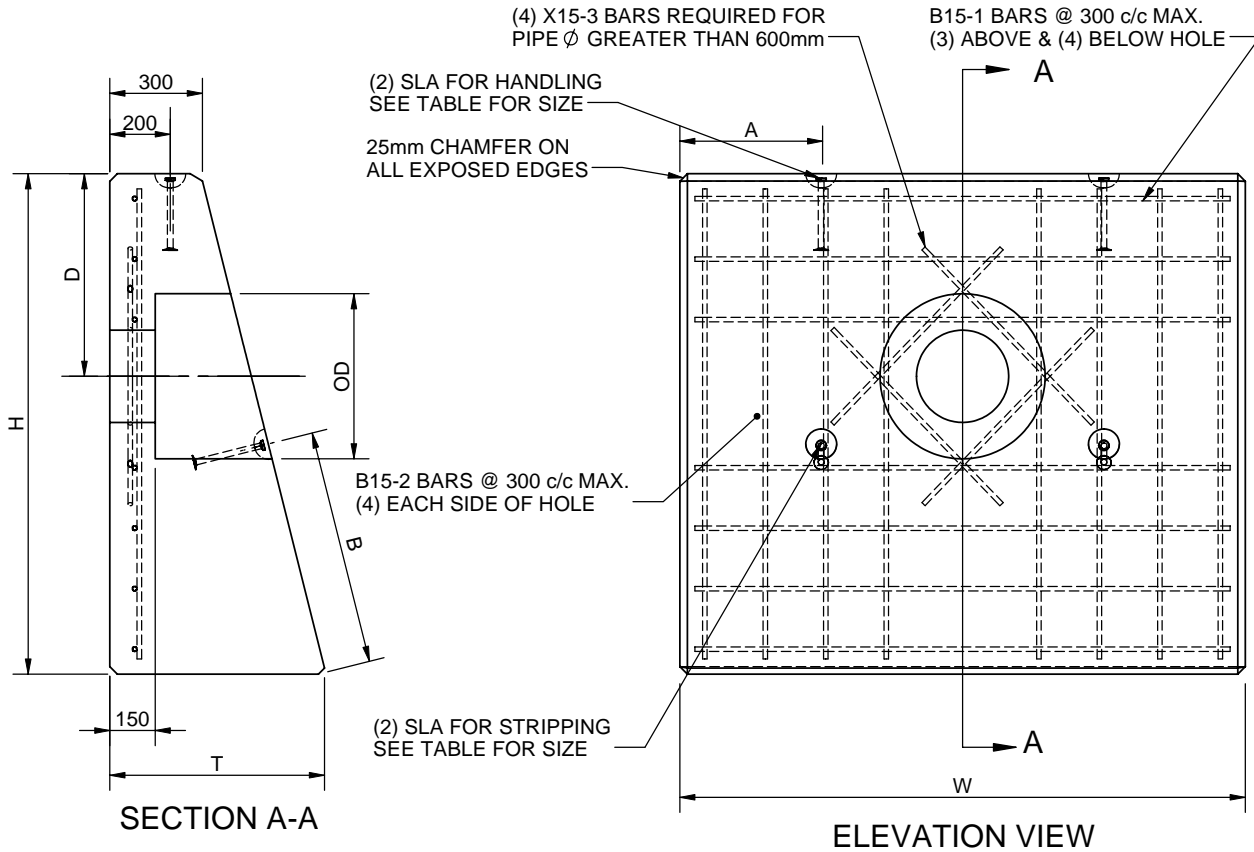


**CCP STENCILING REQUIREMENTS**  
 CONCAST LOGO  
 (SIZE) ENDWALL  
 DATE OF MANUFACTURE

\*ON SLOPED FACE



**EMBOSSING DETAIL ON VERTICAL FACE**



ALL DIMENSIONS ARE IN mm  
 DRAWINGS ARE NOT TO SCALE  
 WWF SHEETS TO CSA G.30.5 AND CSA G.30.15  
 REINFORCING TO CSA G.30.18 GRADE 400W  
 PRECAST MFG. TO OPSS 1821 (APRIL / 2004)

MIN. CONC STRENGTH 30 MPa  
 CLEAR COVER = 75 mm ± 20 mm  
 TOLERANCES TO CSA A23.4-05 : 12.2  
 APPROX. MASS kg  
 STRIP CONC. STRENGTH 20 MPa  
 AIR ENTRAINMENT 5% TO 8%

**CON CAST PIPE STANDARD DRAWING**

STD. \_\_\_\_\_ PART HAXXXX1

TITLE

**CONCRETE ENDWALL  
 FOR PIPE LESS THAN 900mm Ø  
 HAXXXX2 W/ GRATE**

1	RENAME HDWL TO ENDWALL. CONVERT TO SOLIDWORKS	AEM	20/04/10
REV.	DESCRIPTION	ENG.	DATE

DRAWN BY AEM	CHECKED BY SW	DATE 4/9/2010	FILE Headwall	PAGE 1
-----------------	------------------	------------------	------------------	-----------