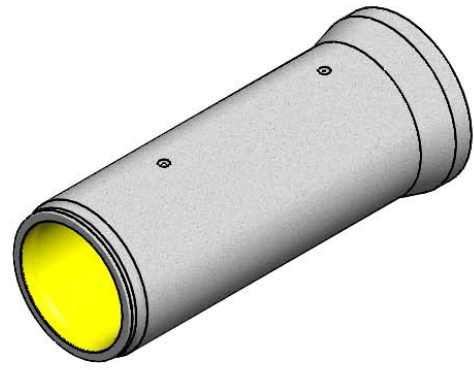
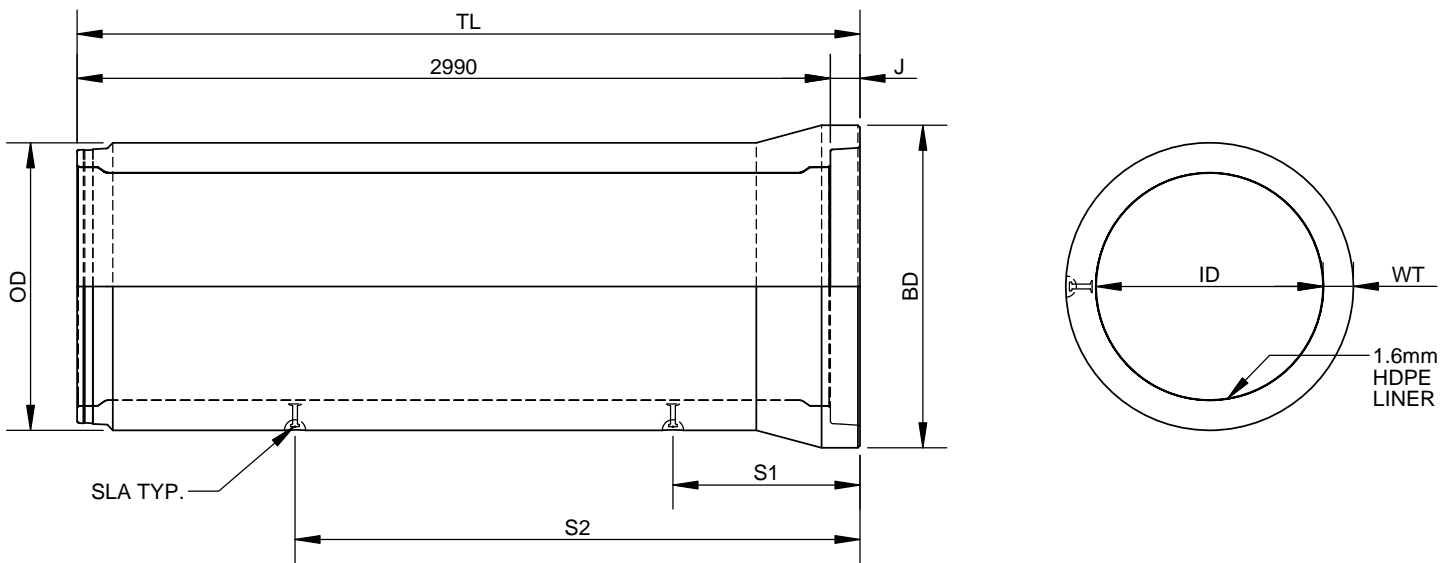




**ISOMETRIC (BELL) VIEW
AS INSTALLED**



**ISOMETRIC (SPIGOT) VIEW
AS INSTALLED**



PRODUCT VARIABLES										
PART ID	MASS (kg)	VARIABLE DIMENSIONS						LIFTING ANCHORS		
		ID	OD	BD	WT	J	TL	SIZE	S1	S2
PL0600X5	1575	600	790	894	95	117	3107	2T 2-3/4"	745	2242
PL0900X5	2975	900	1141	1280	121	117	3107	4T 3-1/2'	742	2242
PL1200X5	4420	1200	1490	1490	145	123	3113	4T 4-1/4"	805	2305

ALL DIMENSIONS ARE IN mm
DRAWINGS ARE NOT TO SCALE
ALL VIEW AS POURED UNLESS SPECIFIED
CDW TO ASTM A1064 fy = 485MPa
CLASS TO BE EVALUATED BASED ON THREE
EDGE BEARING TEST
STEEL DESIGN NOT SHOWN
CONCRETE MIX = WC

MIN. CONC STRENGTH 30 MPa
CLEAR COVER = 25 mm MIN
TOLERANCES TO CSA A254.2-14
STRIP CONC. STRENGTH 20 MPa
AIR ENTRAINMENT 5 % TO 8 %

CON CAST PIPE (CCP) STANDARD DRAWING

STD. CSA A257.2

DOC ID PL-SIZE01

TITLE
**LINED REINFORCED CONCRETE PIPE
SIZE GUIDE
3.0m LAY LENGTH**

0	INITIAL RELEASE	SW	20SEP16
REV.	DESCRIPTION	ENG.	DATE

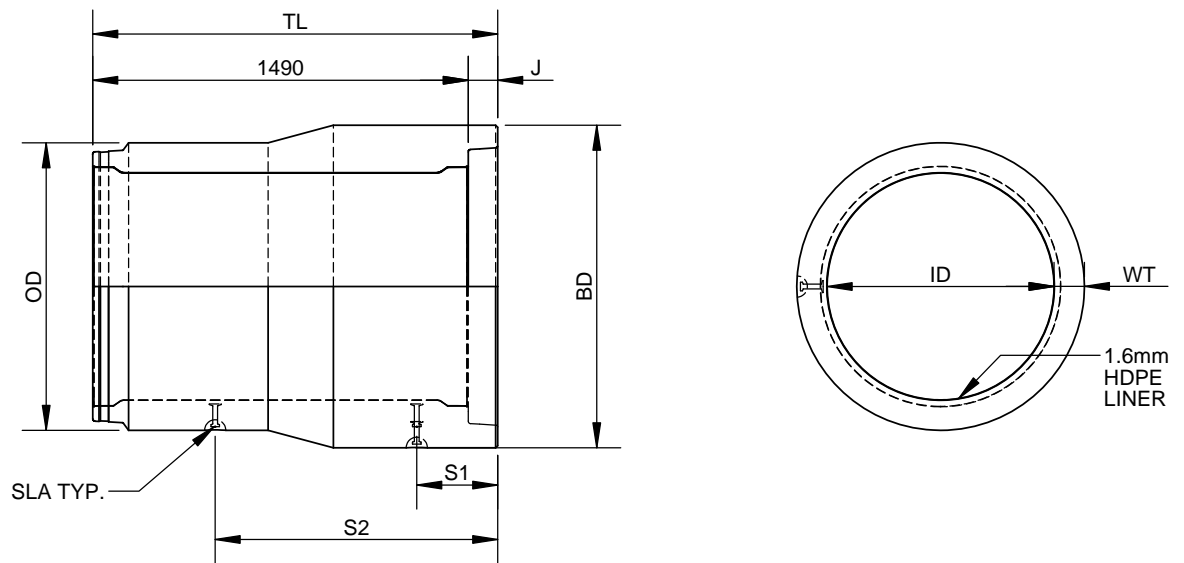
DRAWN BY SW	CHECKED BY SM	DATE 4APR16	FILE PL-SIZE	PAGE 1 OF 1
----------------	------------------	----------------	-----------------	----------------



**ISOMETRIC (BELL) VIEW
AS INSTALLED**



**ISOMETRIC (SPIGOT) VIEW
AS INSTALLED**



PRODUCT VARIABLES										
PART ID	MASS (kg)	VARIABLE DIMENSIONS						LIFTING ANCHORS		
		ID	OD	BD	WT	J	TL	SIZE	S1	S2
PL0600X2	985	600	790	894	95	117	1607	2T 2-3/4"	297	1097
PL0900X2	1875	900	1141	1280	121	117	1607	4T 3-1/2'	321	1121
PL1200X2	2175	1200	1490	1490	145	123	1613	4T 4-1/4"	358	1258

ALL DIMENSIONS ARE IN mm
DRAWINGS ARE NOT TO SCALE
ALL VIEW AS POURED UNLESS SPECIFIED
CDW TO ASTM A1064 fy = 485MPa
CLASS TO BE EVALUATED BASED ON THREE
EDGE BEARING TEST
STEEL DESIGN NOT SHOWN
CONCRETE MIX = WC

MIN. CONC STRENGTH 30 MPa
CLEAR COVER = 25 mm MIN
TOLERANCES TO CSA A254.2-14
STRIP CONC. STRENGTH 20 MPa
AIR ENTRAINMENT 5 % TO 8 %

CON CAST PIPE (CCP) STANDARD DRAWING

STD. CSA A257.2

DOC ID PL-SIZE02

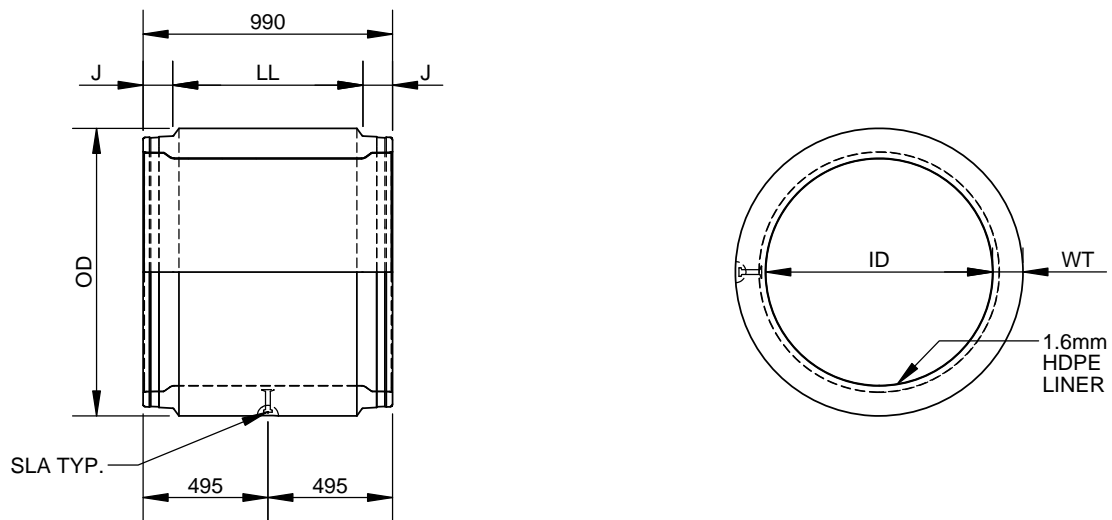
TITLE
**LINED REINFORCED CONCRETE PIPE
SIZE GUIDE
1.5m LAY LENGTH**

0	INITIAL RELEASE	SW	20SEP16
REV.	DESCRIPTION	ENG.	DATE

DRAWN BY SW	CHECKED BY SM	DATE 4APR16	FILE PL-SIZE	PAGE 1 OF 1
----------------	------------------	----------------	-----------------	----------------



**ISOMETRIC VIEW
AS INSTALLED**



PRODUCT VARIABLES							
PART ID	MASS (kg)	VARIABLE DIMENSIONS					LIFTING ANCHORS
		ID	OD	WT	J	LL	SIZE
PL0600X1S	440	600	790	95	117	756	2T 2-3/4"
PL0900X1S	830	900	1141	121	117	756	4T 3-1/2"
PL1200X1D	1250	1200	1490	145	123	744	4T 4-1/4"

ALL DIMENSIONS ARE IN mm
DRAWINGS ARE NOT TO SCALE
ALL VIEW AS POURED UNLESS SPECIFIED
CDW TO ASTM A1064 fy = 485MPa
CLASS TO BE EVALUATED BASED ON THREE
EDGE BEARING TEST
STEEL DESIGN NOT SHOWN
CONCRETE MIX = WC

MIN. CONC STRENGTH 30 MPa
CLEAR COVER = 25 mm MIN
TOLERANCES TO CSA A254.2-14
STRIP CONC. STRENGTH 20 MPa
AIR ENTRAINMENT 5 % TO 8 %

CON CAST PIPE (CCP) STANDARD DRAWING

STD. CSA A257.2

DOC ID PL-SIZE03

TITLE
**LINED REINFORCED CONCRETE PIPE
SIZE GUIDE
DOUBLE SPIGOT ADAPTOR**

0	INITIAL RELEASE	SW	20SEP16
REV.	DESCRIPTION	ENG.	DATE

DRAWN BY SW	CHECKED BY SM	DATE 4APR16	FILE PL-SIZE	PAGE 1 OF 1
----------------	------------------	----------------	-----------------	----------------