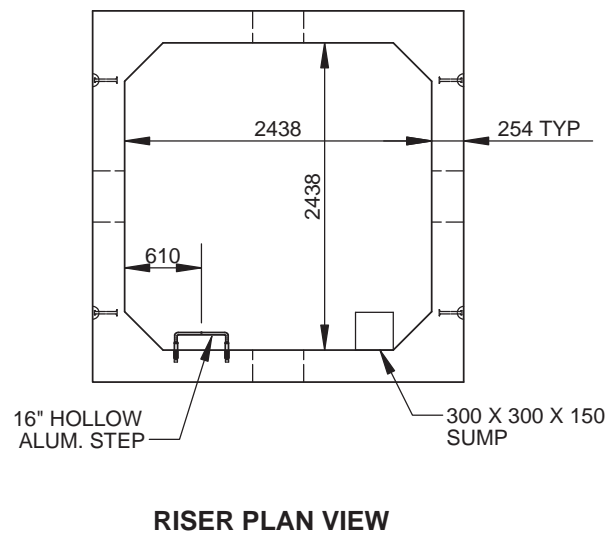
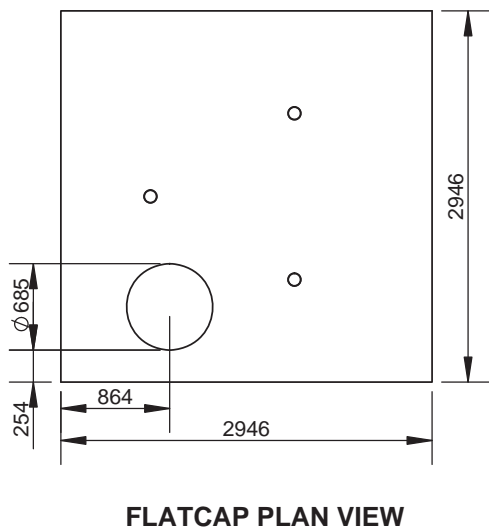
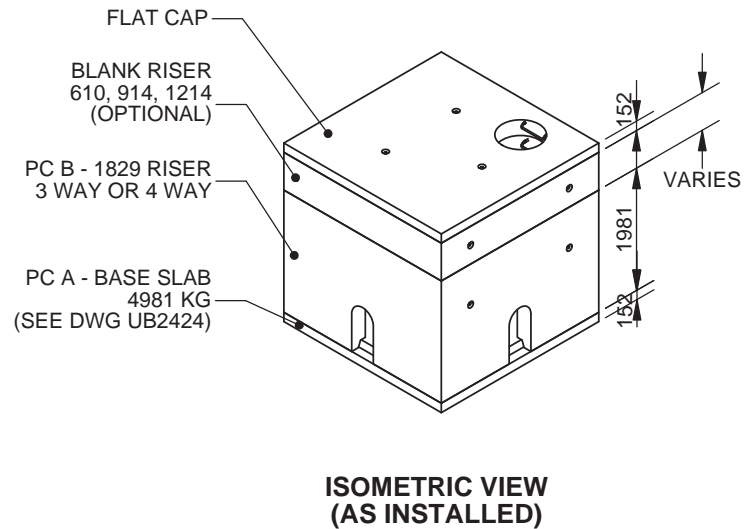
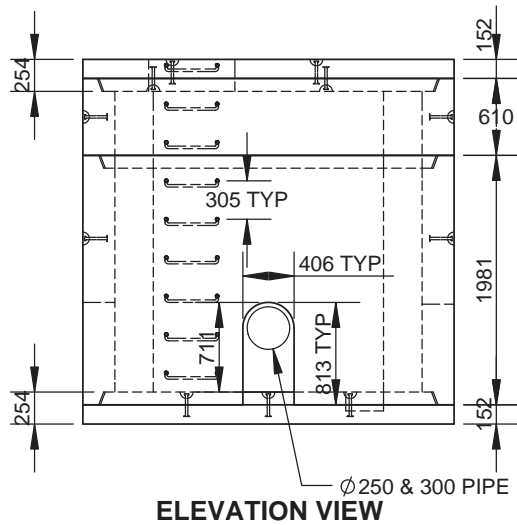


DRAWING INDEX			
DESCRIPTION	MASS (kg)	PRODUCT DRAWING	REINFORCING DRAWING
FLAT CAP	4850	UF2424-3	WIP1UF2424
1981 RISER C/W DBL BELL 4 WAY	12955	UR242465B-4H	WIP1UR2424B
1981 RISER C/W DBL BELL 3 WAY	13140	UR242465B-3H	
610 RISER BLANK	4380	UR2424XX-3	WIP1UR2424
914 RISER BLANK	6585		
1219 RISER BLANK	8760		
BASE SLAB	4980	UB2424-3	WIP1UB2424



ALL DIMENSIONS ARE IN mm  
 DRAWINGS ARE NOT TO SCALE  
 ALL VIEW AS POURED UNLESS SPECIFIED  
 REBAR TO CSA G30.18 400W  
 WELD REINFORCING STEEL ACCORD. TO CWB  
 APPROVED PROCEDURE AND CSA W186  
 DESIGN ACCORDING TO OPSD 1101.017

MIN. CONC STRENGTH 40 MPa  
 CLEAR COVER = 50 mm  $\pm$  10 mm  
 TOLERANCES TO CSA A23.4-14  
 STRIP CONC. STRENGTH 20 MPa  
 AIR ENTRAINMENT 5% TO 8%  
 CEMENT TYPE Hse  
 WETCAST JOINT

**CON CAST PIPE (CCP) STANDARD DRAWING**

STD. HALTON RH402.020 APR 14 REV1 PART VCHALTON

TITLE  
**UTILITY CHAMBER  
 2438 X 2438  
 STANDARD 3-WAY & 4-WAY  
 STACK DRAWING**

1	INITIAL RELEASE	SW	3MAR16
REV.	DESCRIPTION	ENG.	DATE

DRAWN BY SW	CHECKED BY BA	DATE 3MAR16	FILE VC 2438x2438 STD 3 & 4-WAY	PAGE 1 OF 1
----------------	------------------	----------------	------------------------------------	----------------