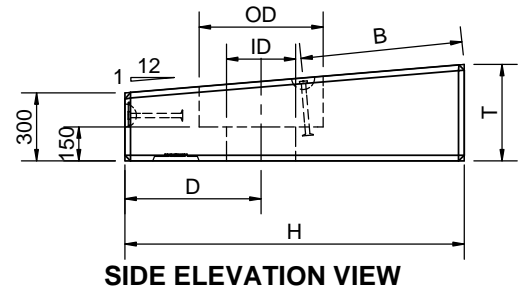
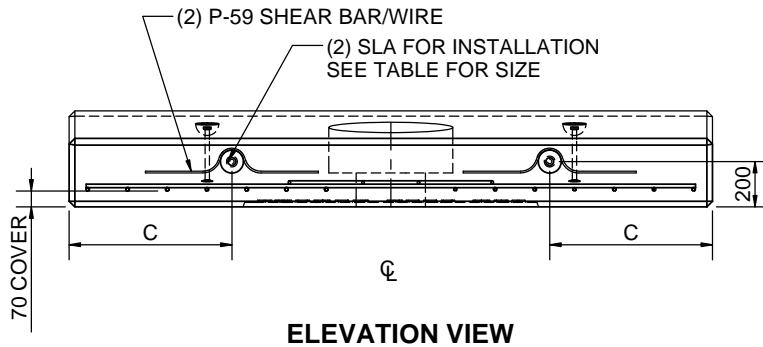
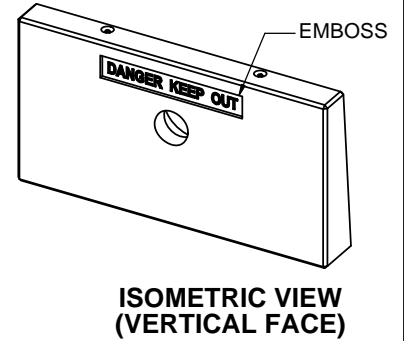
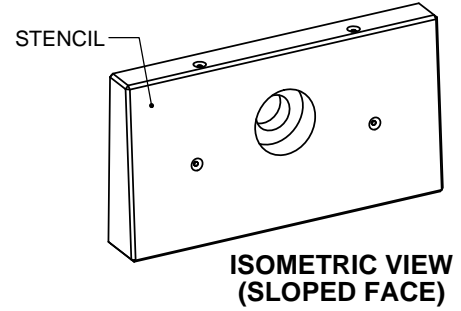
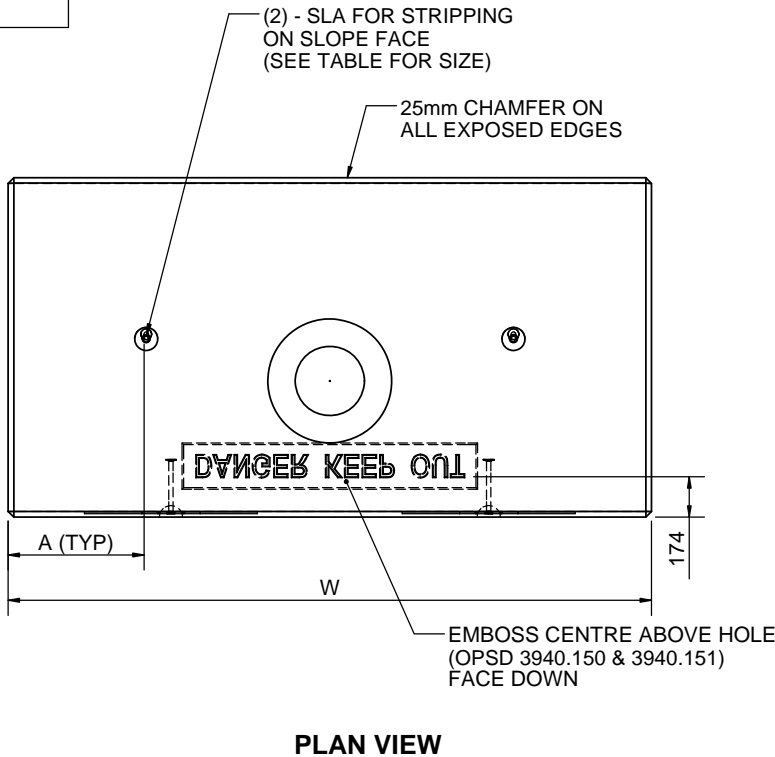


STENCIL
 CONCAST LOGO
 (SIZE) OPS HEADWALL
 (DATE OF MFG)
 (MASS)



PART ID		ID	OD	H	D	T	W	LIFT ANCHOR		P59 SHEAR BAR		A	B	C	MASS (kg)
NO GRATE	w/ GRATE							SPEC	PART ID	SPEC	PART ID				
HA03001-1	HA03002-1	305	546	1495	600	425	2834	4T 9-1/2	RLA140240	4T X 30"	RWIP2RLZ210-762	608	712	709	3648
HA03751-1	HA03752-1	381	635	1583	638	432	3100					651	750	775	4237
HA04501-1	HA04502-1	457	724	1672	675	439	3367					695	788	842	4871
HA05251-1	HA05252-1	533	813	1761	713	447	3634					739	826	909	5557
HA06001-1	HA06002-1	610	902	1850	750	454	3900					784	863	975	6282
HA06751-1	HA06752-1	686	991	1939	788	462	4137					822	900	1034	7010
HA07501-1	HA07502-1	762	1080	2028	825	469	4434	8T 8-1/4	RLA180210	8T X 34"	RWIP2RLZ220-864	875	937	1109	7887
HA08251-1	HA08252-1	838	1168	2117	863	476	4700					920	973	1175	8757

ENGINEER STAMP (IF REQUIRED)

ALL DIMENSIONS ARE IN mm
 DRAWINGS ARE NOT TO SCALE
 EXPOSURE CLASS = F1 AS PER CSA A23.1-09
 REINFORCING TO CSA G.30.18 GRADE 400W
 SEE WIP1HA0XXX-1 FOR REINFORCING DETAIL

MIN. CONC STRENGTH 35 MPa
 CLEAR COVER = 75 mm ± 20 mm
 TOLERANCES TO CSA A23.4-09
 STRIP CONC. STRENGTH 20 MPa
 AIR ENTRAINMENT 5 % TO 8 %

CON CAST PIPE (CCP) STANDARD DRAWING

STD. OPSD 804.030 NOV 2006 REV1 PART HA0XXXX-1

TITLE
**CONCRETE OPS HEADWALL
 FOR PIPE LESS THAN 900mm Ø
 (HAXXXX2-1 WITH GRATE)**

REV.	DESCRIPTION	ENG.	DATE
4	REV. INSTALLATION SLA LOATION	JZ	22/AUG/13
3	AS POURED VIEW, ADDED SHEAR BAR	SW	27NOV12
2	UPDATE SLA LOCATIONS	CW	18/OCT/2011
1	INITIAL RELEASE	AEM	09/APR/2010

DRAWN BY	CHECKED BY	DATE	FILE	PAGE
AEM	AG	09/APR/2010	Headwall.SLDDRW	1 OF 1