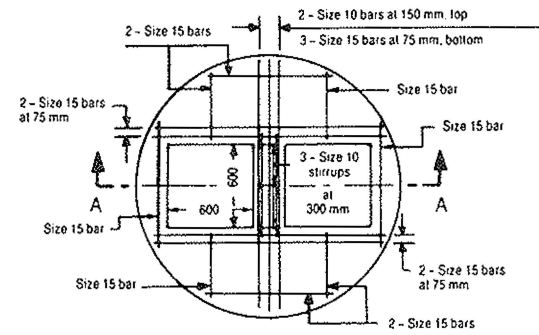
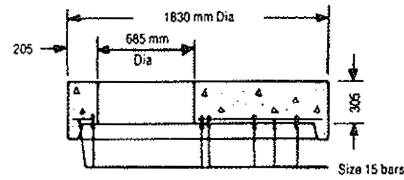
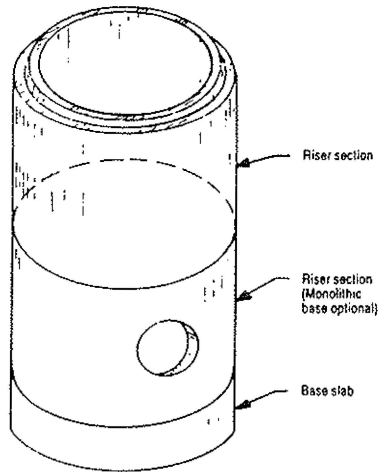


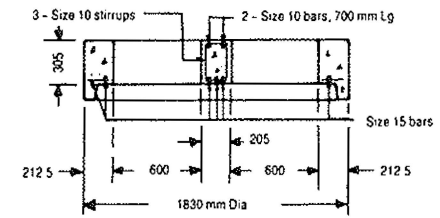
PLAN



PLAN



SECTION A-A  
FLAT CAP



SECTION A-A  
TWIN INLET FLAT CAP

NOTES:

- A All reinforcing steel shall have 25 mm min cover.
- B This standard to be used in conjunction with OPSD-701.04
- C All dimensions are in millimetres



**CONCAST**

R.R. #3, Guelph, Ontario N1H 6H9  
Tel: 1-800-668-PIPE (7473)

**CON CAST PIPE**

No. 703.01

1500 mm Dia.  
**PRECAST CONCRETE SINGLE  
AND TWIN INLET FLAT CAP**