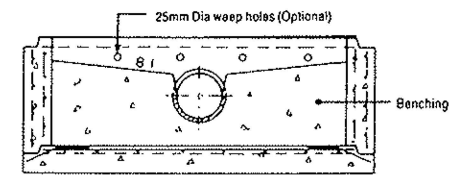
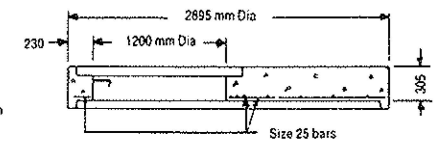
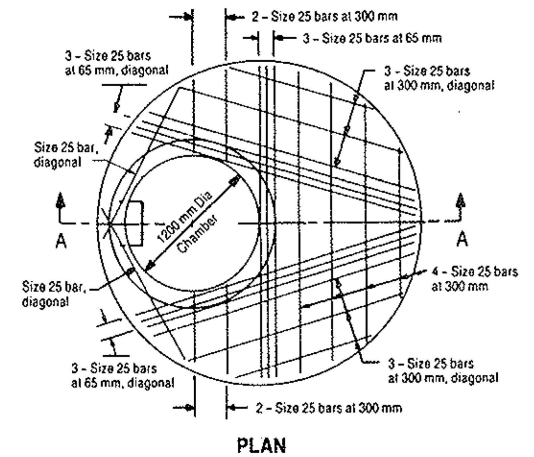
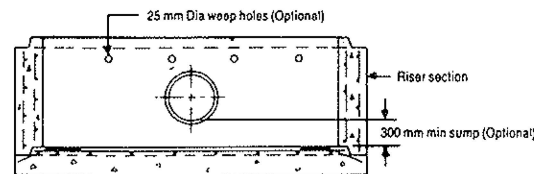
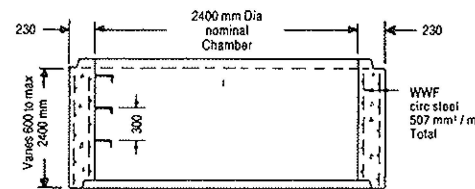
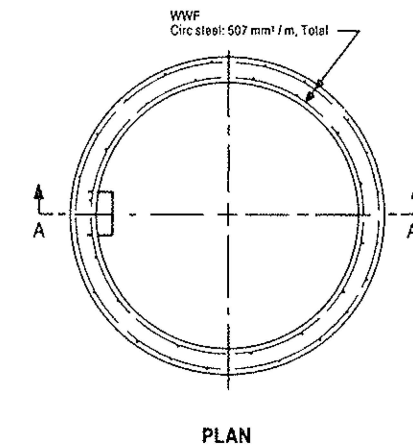
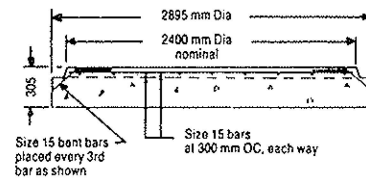
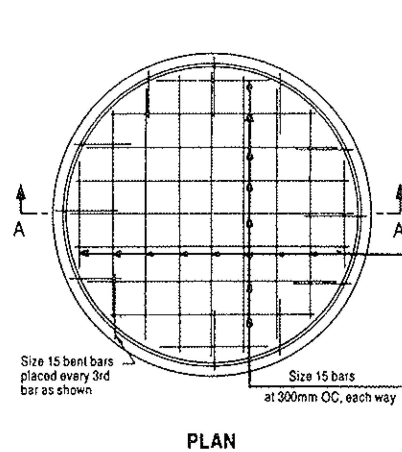


2400 to 1200 mm Dia



NOTES:

- A Max straight through pipe size: 1500 mm dia.
Max right angle installation pipe size: 1050 mm dia.
- B All reinforcing steel shall have 25 mm min cover.
- C Weep holes, where required, shall be placed so that the bottom of the weeper on the inside and the top of the weeper on the outside are level.
- D All dimensions are in millimetres unless otherwise specified.
- E Structures exceeding 5.0 m in depth to include safety grate as per OPSD-404.02.



R.R. #3, Guelph, Ontario N1H 6H9
Tel: 1-800-668-PIPE (7473)

CON CAST PIPE

No. 701.06

**2400 mm Dia.
PRECAST CONCRETE
MAINTENANCE HOLES (COMPONENTS)
DEPTH - 10.0 m MAX**