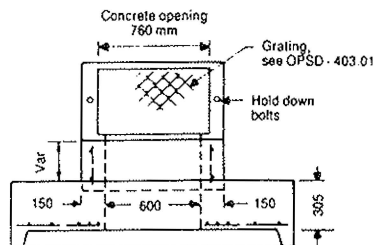


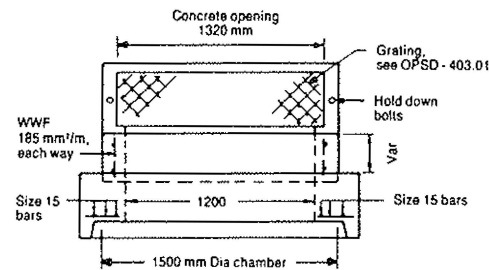
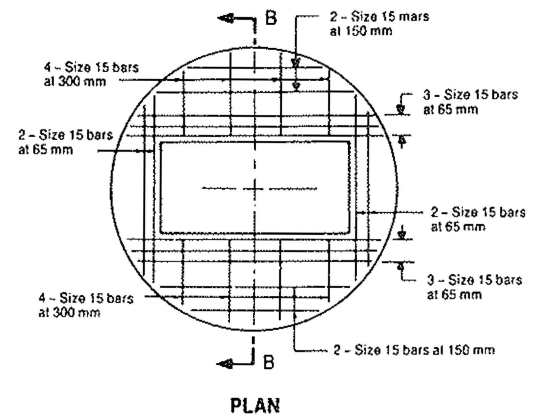
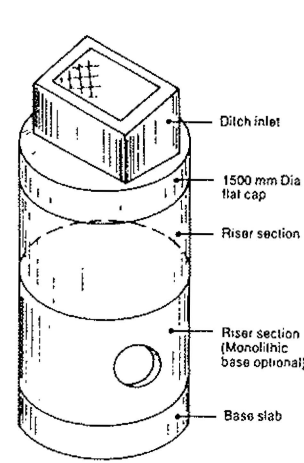
SECTION A-A

TYPE B



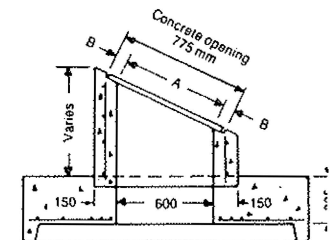
FRONT VIEW

SLOPE OF GRATING	DIMENSIONS	
	A	B
2:1	1365	55
3:1	1285	95
4:1	1260	110
6:1	1240	55
8:1	1230	60
10:1	1225	60
Horizontal	1220	65



FRONT VIEW

TYPE A



SECTION B-B

SLOPE OF GRATING	DIMENSIONS	
	A	B
2:1	675	50
3:1	645	65
4:1	625	75

NOTES:

- A All reinforcing steel shall have 25 mm min cover.
- B Weep holes, where required, shall be placed so that the bottom of the weeper on the inside and the top of the weeper on the outside are level.
- C All dimensions are in millimetres unless otherwise specified.



**CONCAST**  
R.R. #3, Guelph, Ontario N1H 6H9  
Tel: 1-800-668-PIPE (7473)

**CON CAST PIPE**

706.01

**600 x 1200 mm  
PRECAST CONCRETE  
DITCH INLET MAINTENANCE HOLES  
WITH 1500 mm Dia. FLAT CAP**