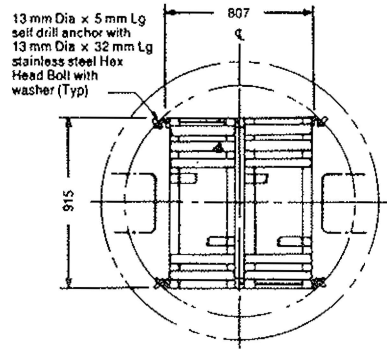
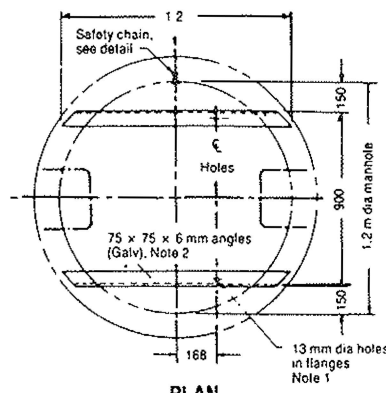


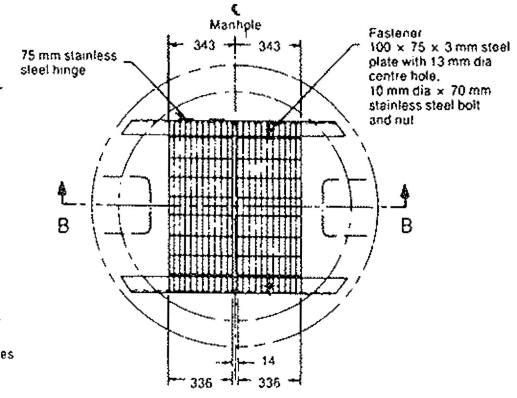
SECTION B-B



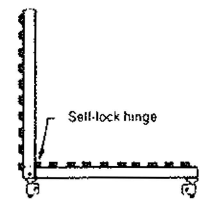
PLAN  
Detail of grating and 'bolt on' support  
Type A



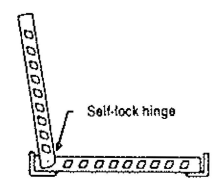
PLAN  
Detail of cast in wall grating support  
Type B



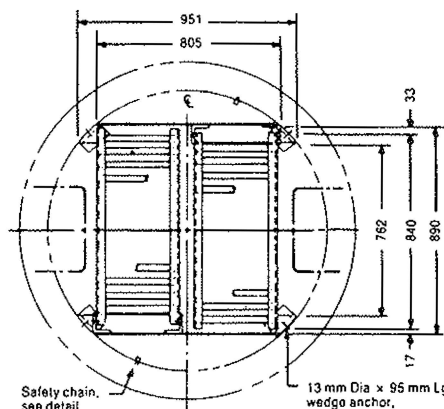
PLAN  
Detail of grating  
Type B



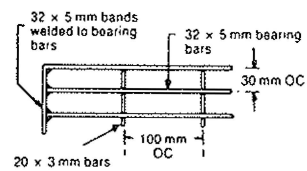
END VIEW  
Open position, Type A



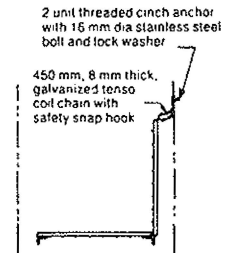
END VIEW  
Open position, Type C



PLAN  
Detail of grating and 'bolt on' support  
Type C



Detail of grating  
Type B



Detail of safety chain  
For Types B and C

NOTES:

A Bolt holes in angles to be drilled before galvanizing.

A MATERIALS:

- a The aluminum grate shall conform to standard No. 157 CSA.
- B The bearing bars shall be SG 11 R - T6 alloy.

B All dimensions are in millimetres or metres unless otherwise specified.



**CONCAST**

R.R. #3, Guelph, Ontario N1H 6H9  
Tel: 1-800-668-PIPE (7473)

**CON CAST PIPE**

No. 404.02

**ALUMINUM  
SAFETY GRATING  
FOR CONCRETE MAINTENANCE HOLES**