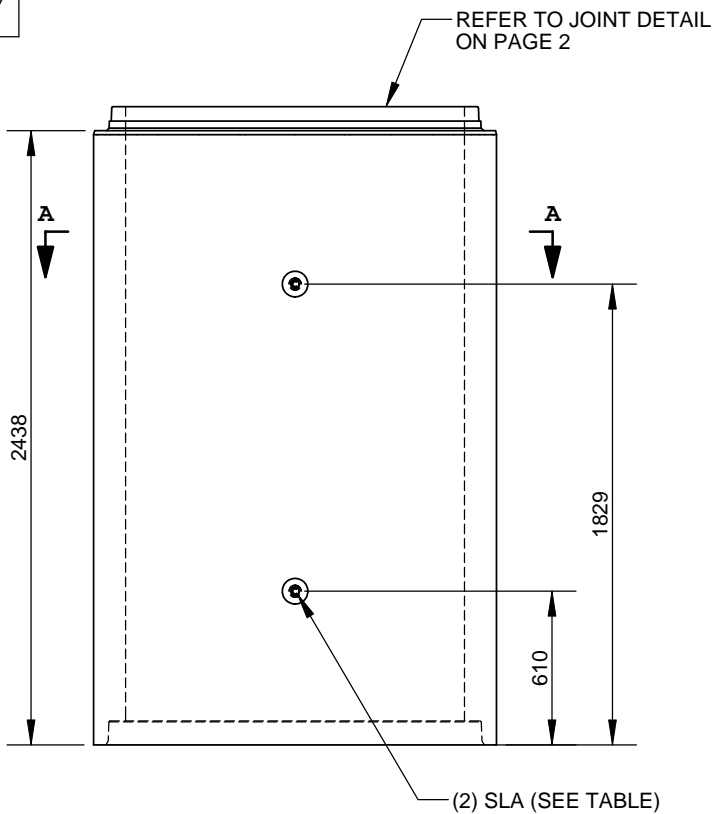
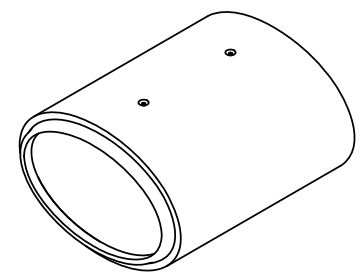


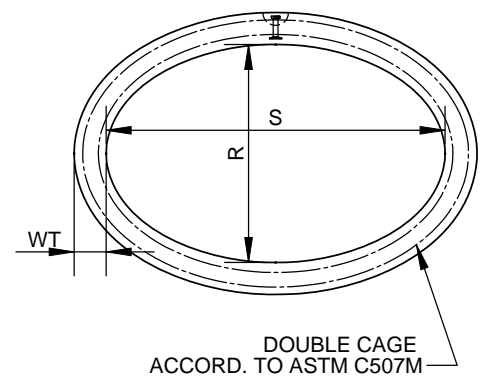
STENCIL  
 CCP-GUELPH  
 (SIZE) EQV  
 (S) X (R)  
 (CLASS)  
 TYPE HSb  
 ASTM C507  
 (DATE OF MFG)



AS POUR VIEW



ISOMETRIC VIEW



TYPICAL SECTION A

PRODUCT VARIABLES									
PART ID	EQV. SIZE	MASS (kg)	SPAN (S)	RISE (R)	WALL (WT)	JOINT	SWIFT LIFT ANCHOR		
							SIZE X LENGTH	PART ID	QTY
EA0900X	900	2272	1145	735	115	MORTAR	4 TON X 3"	RLA140075	2
EA1050X-1	1050	2962	1345	865	127	GASKET	4 TON X 3-1/2"	RLA140090	2
EA1200X-1	1200	3750	1525	965	140	GASKET	4 TON X 4-1/4"	RLA140110	2
EA1350X-1	1350	4592	1725	1090	152	GASKET	4 TON X 4-1/4"	RLA140110	2
EA1500X	1500	5363	1930	1220	165	MORTAR	4 TON X 4-3/4"	RLA140120	2
EA1650X	1650	6344	2110	1345	178	MORTAR	4 TON X 4-3/4"	RLA140120	2
EA1800X	1800	7418	2310	1475	190	MORTAR	4 TON X 5-1/2"	RLA140140	2
EA1950X	1950	8545	2490	1600	203	MORTAR	8 TON X 6-1/4"	RLA180160	2
EA2100X	2100	9743	2690	1725	216	MORTAR	8 TON X 6-3/4"	RLA180170	2

PART ID "X": 1 - HE-I, 2 - HE-II, 3 - HE-III, 4 - HE-IV

ENGINEER STAMP (IF REQUIRED)

ALL DIMENSIONS ARE IN mm  
 DRAWINGS ARE NOT TO SCALE  
 STEEL DESIGN ACCORDING TO ASTM C507M  
 REFER TO ELLIPTICAL PIPE DESIGN FOR DETAIL

MIN. CONC STRENGTH 35 MPa  
 CLEAR COVER = 30 mm ± 5 mm  
 TOLERANCES TO ASTM C507M

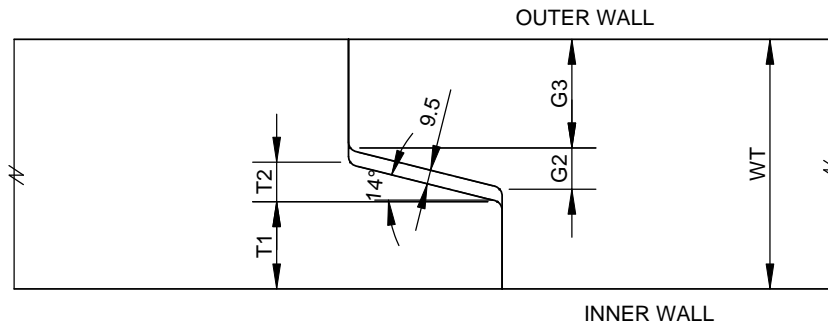
CON CAST PIPE (CCP) STANDARD DRAWING  
 STD: ASTM C507M PART: EAXXXXX

TITLE: HORIZONTAL ELLIPTICAL PIPE  
 900 - 2100 mm EQV. SIZE

3	SOLIDWORKS STD, REF ASTM STD, JOINT DETAIL	SW	19/OCT/11
2	REVISED SLA FOR EA1200	AEM	9/APR/10
1	REVISED AS PER NEW AUTOCAD STD	AES	2/NOV/07
REV.	DESCRIPTION	ENG.	DATE

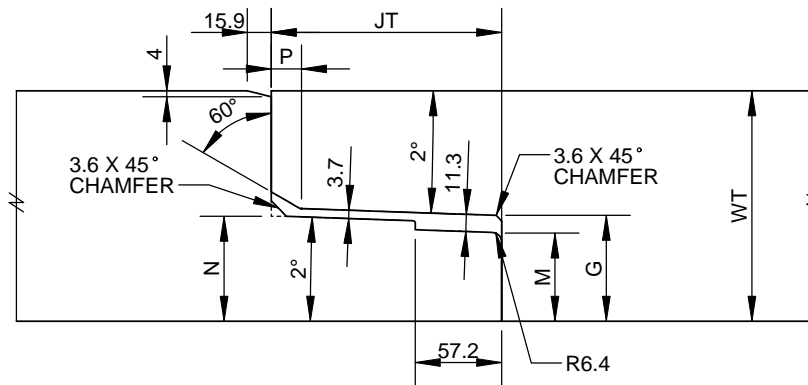
DRAWN BY SW	CHECKED BY CW/BF/AC	DATE 06/OCT/11	FILE HEP.SLDDRW	PAGE 1 OF 2
----------------	------------------------	-------------------	--------------------	----------------

G:\Engineering\Library\Solidworks\HEP\HEP\



**MORTAR JOINT DETAIL**

PART ID	EQV. SIZE	WALL (WT)	JT	T1	T2	G2	G3
EA0900X	900	115	76	38.1	19.1	19.1	50.8
EA1500X	1500	165	102	57.2	25.4	25.4	73.0
EA1650X	1650	178	127	60.3	31.8	31.8	76.2
EA1800X	1800	190	140	63.5	34.9	34.9	92.1
EA1950X	1950	203	152	63.5	38.1	38.1	88.9
EA2100X	2100	216	152	69.9	38.1	38.1	95.3
EA2400X	2400	241	152	85.7	38.1	38.1	108.0



**GAKSET JOINT DETAIL**

PART ID	EQV. SIZE	WALL (WT)	JT	M	N	G	P
EA1050X-1	1050	127	140	55.1	66.0	66.4	15.9
EA1200X-1	1200	140	140	58.9	69.9	70.2	15.9
EA1350X-1	1350	152	152	58.5	69.7	69.9	19.1

PART ID "X": 1 - HE-I, 2 - HE-II, 3 - HE-III, 4 - HE-IV

ENGINEER STAMP (IF REQUIRED)

ALL DIMENSIONS ARE IN mm  
DRAWINGS ARE NOT TO SCALE  
STEEL DESIGN ACCORDING TO ASTM C507M  
REFER TO ELLIPTICAL PIPE DESIGN FOR DETAIL

MIN. CONC STRENGTH 35 MPa  
CLEAR COVER = 30 mm ± 5 mm  
TOLERANCES TO ASTM C507M

**CON CAST PIPE (CCP) STANDARD DRAWING**

STD. ASTM C507M

PART EAXXXXX

**HORIZONTAL ELLIPTICAL PIPE JOINT DETAILS**

3	SOLIDWORKS STD, REF ASTM STD, JOINT DETAIL	SW	18/OCT/11
2	REVISED SLA FOR EA1200	AEM	9/APR/10
1	REVISED AS PER NEW AUTOCAD STD	AES	2/NOV/07
REV.	DESCRIPTION	ENG.	DATE

DRAWN BY SW	CHECKED BY CW/BF/AC	DATE 06/OCT/11	FILE HEP.SLDDRW	PAGE 2 OF 2
-------------	---------------------	----------------	-----------------	-------------