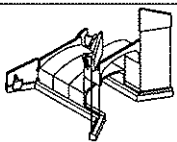
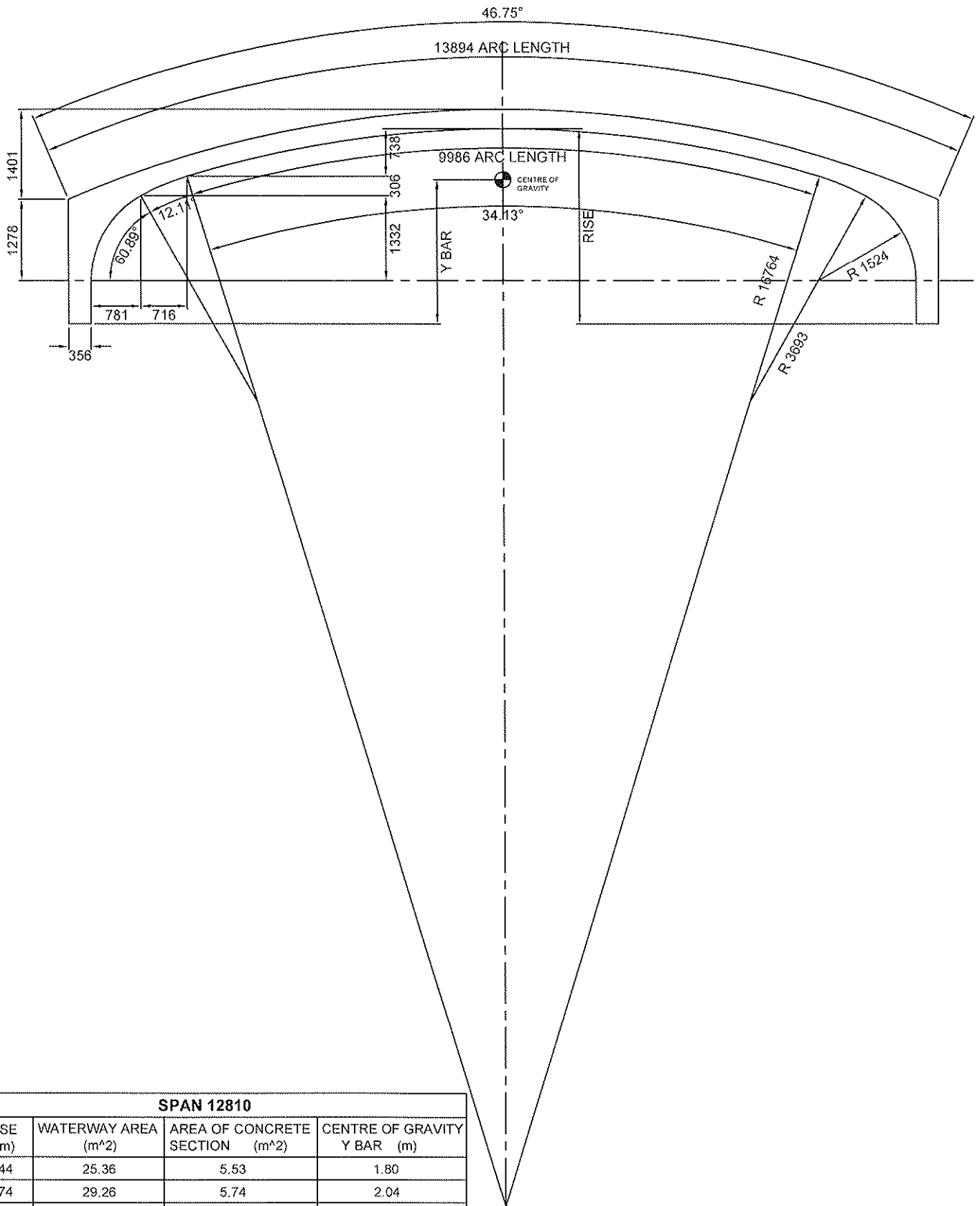


SPAN 14640			
RISE (m)	WATERWAY AREA (m ²)	AREA OF CONCRETE SECTION (m ²)	CENTRE OF GRAVITY Y BAR (m)
3.05	35.95	6.54	2.16
3.35	40.41	6.78	2.38
3.66	44.87	7.03	2.59
3.96	49.33	7.28	2.80

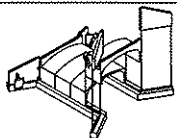


CON/SPAN
EXTENDED SPAN SERIES

14640mm



SPAN 12810			
RISE (m)	WATERWAY AREA (m ²)	AREA OF CONCRETE SECTION (m ²)	CENTRE OF GRAVITY Y BAR (m)
2.44	25.36	5.53	1.80
2.74	29.26	5.74	2.04
3.05	33.17	5.96	2.26
3.35	37.07	6.18	2.47
3.66	40.97	6.39	2.68



CON/SPAN
CANADA

CON/SPAN
EXTENDED SPAN SERIES

12810mm

EXTENDED SPAN 12810.DWG REV 00 AUG 2007