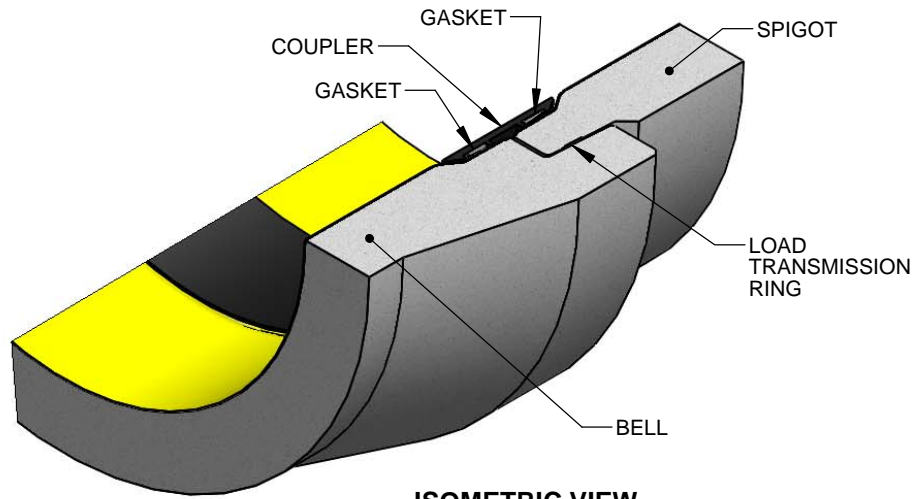


ALL DIMENSIONS ARE IN mm
DRAWINGS ARE NOT TO SCALE

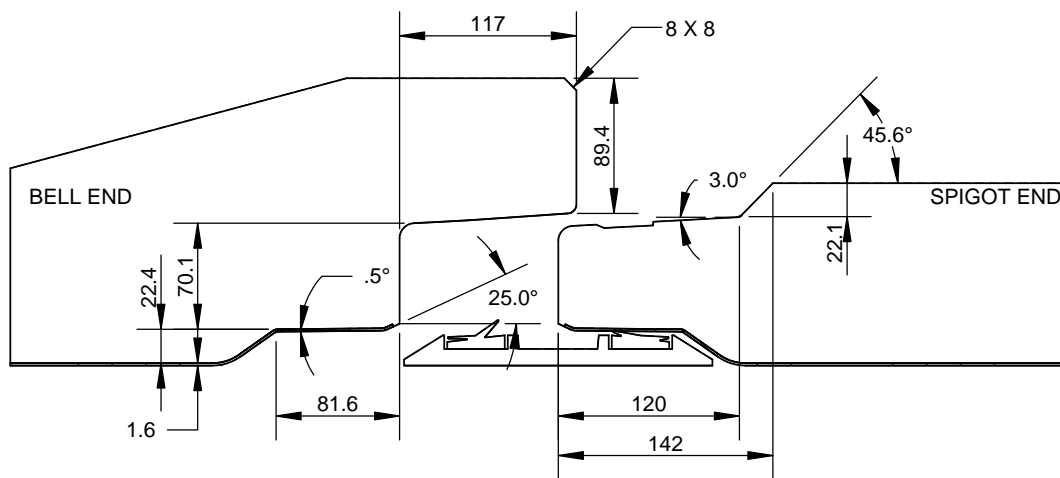
REFER TO PL0600X5 FOR PIPE DETAIL

CON CAST PIPE (CCP) STANDARD DRAWING

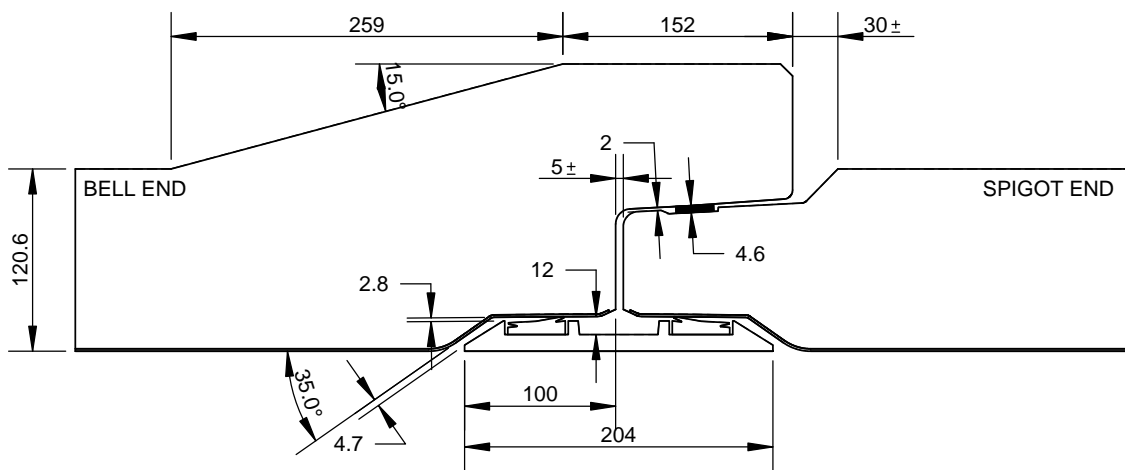
STD.	DOC ID			PL0600J
TITLE				
LINED REINFORCED CONCRETE PIPE 600mm DIAMETER JOINT DETAIL				
DRAWN BY	CHECKED BY	DATE	FILE	PAGE
SW	SW	31MAY16	PL0600J	1 OF 1
REV.	DESCRIPTION	ENG.	DATE	



ISOMETRIC VIEW



JOINT DIS-ENGAGED



JOINT ENGAGED

ALL DIMENSIONS ARE IN mm
DRAWINGS ARE NOT TO SCALE

REFER TO PL0900X5 FOR PIPE DETAIL

CON CAST PIPE (CCP) STANDARD DRAWING

STD.

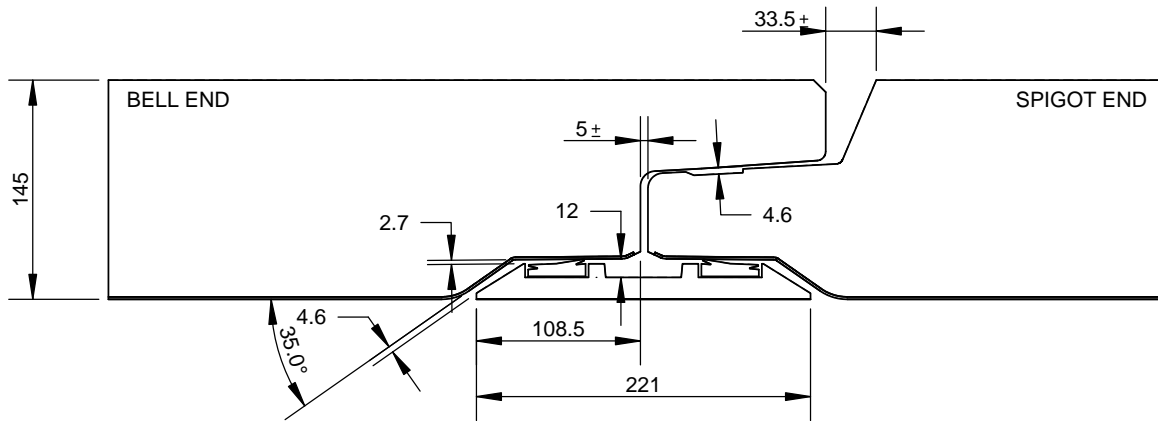
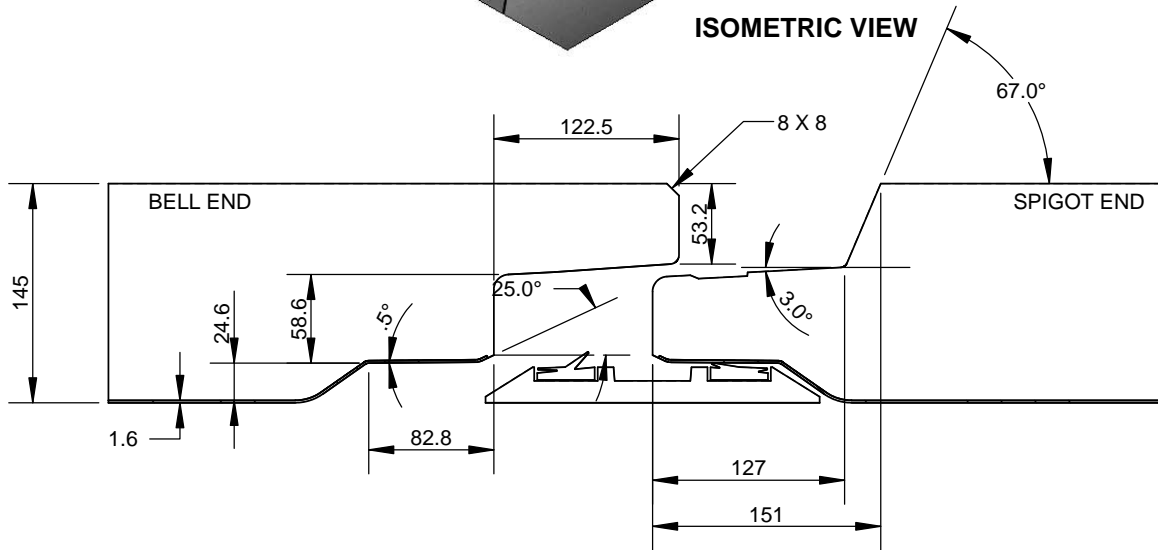
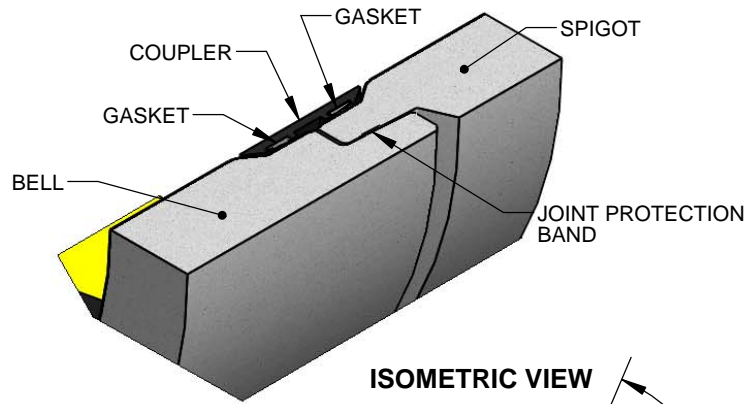
DOC ID PL0900J

TITLE

LINED REINFORCED CONCRETE PIPE
900 mm DIAMETER
JOINT DETAIL

1	ADD DETAILS	SW	19OCT16
0	INITIAL RELEASE	SM	4APR16
REV.	DESCRIPTION	ENG.	DATE

DRAWN BY SW	CHECKED BY SM	DATE 4APR16	FILE PL0900J	PAGE 1 OF 1
----------------	------------------	----------------	-----------------	----------------



ALL DIMENSIONS ARE IN mm
DRAWINGS ARE NOT TO SCALE

REFER TO PL1200X5 FOR PIPE DETAIL

CON CAST PIPE (CCP) STANDARD DRAWING

STD.	DOC ID			PL1200J
TITLE				
LINED REINFORCED CONCRETE PIPE 1200 mm DIAMETER JOINT DETAIL				
DRAWN BY	CHECKED BY	DATE	FILE	PAGE
SW	SM	4APR16	PL1200J	x OF x
REV.	DESCRIPTION	ENG.	DATE	
1	ADDED DETAILS	SW	20OCT16	
0	INITIAL RELEASE	SW	4APR16	